



A Danish brand since 2015

Collection 2021

Once again, we are ready to present a new collection from Design For The People. Before our novelties see the light of day an extensive process goes into creating each and every design. This year is no exception.

The first step in the process of designing a new collection is inspiration. Finding inspiration for materials, shapes, colors, and direction is key to the process. We have sought inspiration in nature with its imperfect and organic shapes, in earlier style periods like Art Deco and also in the present modern style. We look at forecasts and trends, embrace them and temper them to fit into our own design universe.

Next step is to brief the designers we work with and inspire them to start their creative process. Through our ongoing collaborations with contemporary Danish designers, we strive to design pieces that maintain a sophisticated and classic look for years to come.

Design For The People has its own DNA – a unique set of characteristics that is defining the essence of the brand and is rooted in the overall concepts, materials we work with, the details, the colors we choose and the finished designs we present to you.

We define our DNA as: **Danish design, Contemporary, Made to last.**

Behind all our designs is one or a team of Danish designers that strive to create aesthetic synergy between materials, shape, and function. The perfect contemporary design is often made by looking into the past and the future and using what is good and lasting. Made to last is how we see our designs – as timeless pieces you will value for many years.

This year – more than ever, we want our designs to enhance our lives and the spaces surrounding us. Creating a comforting feel and ambience in your home, where you want to live and spend time.

We proudly present the 2021 Design For The People Collection



Lone Bødker
Product manager





Table of contents

8

*Red Dot Design
Award Winner 2021*

14

*Portfolio
2021-2022*

80

*Collection
2021-2022*

126

*Design. For.
The. People.*

128

*BIM &
projects*

130

*FSC &
responsibility*

132

*Degree &
protection*

134

*Light source
info*

136

*Product
index*

Red Dot Design Award

Glossy Table
Red Dot Award Winner 2021

The Red Dot Award is one of the most recognized international design contests in the world and has been a quality stamp in the design industry since 1955.

Each year, Red Dot receives more than 17,000 entries from close to 60 countries, which will subsequently be reviewed and judged by a jury of 40 independent design experts.

The price is divided into three categories: Product Design, Design Concept and Communication Design. Red Dot is organized by Design Zentrum North Rhine Westphalia in Essen, Germany.



reddot winner 2021
lighting design





reddot winner 2021
lighting design

You can turn off the light, but I'm still gonna shine

Glossy Table
Red Dot Award Winner 2021

"Glossy is my favourite lamp. I feel that it successfully balances form and a mix of materials. The entire construction and expression of the lamp is simple and timeless. It makes me proud and incredibly happy that the design has been acknowledged with a Red Dot Award"
designer Maria Berntsen.

Originally Glossy was thought to be a smaller, portable lamp, but since evolved through the creative design process into an exclusive table lamp carried out in a material mix of marble, opal white glass and elegant brass details.

The combination of materials is perfectly matched, but at the same time creates interesting contrasts. The almost suspended glass shade is elegantly contrasted by the heavy marble base, both beautifully intertwined by the brushed brass details.

A pleasant, softened light shines through the lightweight shade – and the shiny surface maintains its' special glow, even when the light is turned off.



Maria Berntsen
Designer

Hall of fame

SpaceB Floor by Bønnelycke mdd
Red Dot Award Winner 2019

Front 36 Wall by Sebastian Holmbäck
Red Dot Award Winner 2017

Strap 36 Pendant by Bjørn + Balle
Red Dot Award Winner 2017

SpaceB Pendant by Bønnelycke mdd
Red Dot Award Winner 2019

Glossy Table, Marble by Maria Berntsen
Red Dot Award Winner 2021

Stay Wall & Table by Maria Berntsen
Red Dot Award Winner 2020

Artist 40 Pendant by Bønnelycke mdd
Red Dot Award Winner 2017

Belly 38 Pendant by Bønnelycke mdd
Red Dot Award Winner 2018





Journal
2021-2022



Maria Berntsen

Holds degrees from both The Royal Danish Academy Art and L'Ecole d'Architecture
Based in Copenhagen, Denmark

With her own design studio in Copenhagen, Maria Berntsen has since 1992 focused on architecture and design. Maria Berntsen is a well-established name in the design industry and has over the years collaborated with a wide range of Danish and international companies, where her extensive experience has resulted in many successful designs.

"At the start of a new project, I look for an idea with nerve, functionality and identity. By modelling and visualizing, I test the idea, how it might be used, and its presence.

Good design communicates and establishes a dialogue with the receiver. Design is not just about functionality – it is as much about the emotional connection and impact. To me, success is when my design brings joy in the everyday lives of people"



Maria Berntsen
Owner and designer





Watch video 

Shapes

The Shapes series by Danish designer Maria Berntsen draws inspiration from elegant, organically shaped jewellery. The opal glass shade is carried out in a unique, asymmetrical form that plays beautifully together with the shiny brass base and creates a refined and intriguing expression. The lamp emits a soft and diffused light through the mouth blown glass shade that is perfect for working or relaxing.

Learn more about Shapes on p80





Shapes Pendant 22, Brass by Maria Berntsen





Watch video 



Align Table, Grey by Maria Berntsen

AlignTM

Align is a series of contemporary and elegant table lamps by Danish designer Maria Berntsen that encourage interaction and curiosity. The inner shade of the lamp is static, while the outer shade can easily be moved for a changeable light that fits any need. The design language is simple, yet playful with a satin soft, matt surface and beautiful brushed brass details.


Learn more about Align on p85



Align Table, White by Maria Berntsen





Watch video 



Mobile Pendant, White by Maria Berntsen

Mobile

Danish designer Maria Berntsen has created the classic, yet unique Mobile pendant in a slim and elegant design. The two rounded shades and discreet brass detail give the pendant a modern and light look that is perfect above the dining table. Light reflects from the bottom shade onto the opalized top shade releasing a beautiful, diffused and glare-free light. You can easily adjust the shades closer together for a centred, downward light or further apart for a more diffused light spreading out in the room.

Learn more about Mobile on p86

Stay Pendant, Black by Maria Berntsen



*Stay*TM

Stay is designed by Maria Berntsen and is a modern, yet timeless lighting design at the same time. The oblique cut of the shade creates an open and pointing shape that allows for lots of light to shine through. The Stay pendant emits a soft, comfortable light both upwards and downwards – and creates the perfect ambience for cosy moments around the dinner table.

Learn more about Stay on p82



Stay Long Wall, Grey by Maria Berntsen



Stay Long Wall, Grey by Maria Berntsen

Watch video 



Stay wall

“My idea was to create a timeless lamp series that could be included in the modern home.

I wanted to use the LED technology we know with the option to dim the light, thus providing the perfect lighting for working/reading or a cosy coffee on the sofa.”

– Maria Berntsen



Stay Long Table, Grey by Maria Berntsen









Angle Wall, Black by Maria Berntsen

Angle™

Angle wall light by Danish designer Maria Berntsen is a modern and timeless design that fits perfectly as a bedside light or above the bathroom mirror. The lamp is carried out in a playful and interactive design with a magnetically attached shade that can easily be adjusted to fit your needs. Turn, tilt or move the shade for a directional or indirect light. A USB charging port on the side conveniently lets you charge your phone or other device.

Learn more about Angle on p86



Angle Pendant, White by Maria Berntsen



Watch video 



red dot winner 2021
lighting design



Glossy Table, Opal white & marble by Maria Berntsen

Watch video 



*Glossy*TM

Glossy is the epitome of tasteful and sophisticated design. The Danish designer, Maria Berntsen, has created a table lamp that oozes of Nordic minimalism, and where the combination of the exclusive materials, marble, brass and opal white glass contribute to an incredibly elegant design. Glossy is named after the shiny surface of the opal white glass, which lets a soft and comfortable light shine through.

Learn more about Glossy on p85



Bjørn + Balle

Design is a part of our identity
Based in Copenhagen, Denmark

The designers combine minimalistic Scandinavian design with international trends. It's about image creation and recognizability. The overall identity of the product is its form, function, details, structure and materials, which all comes together. A product never stands alone but is part of an environment where the story being told supports the design.

BJØRN + BALLE have both carried out a large number of design tasks for both national and international clients at many different areas, such as product design, furniture design, interior design, identity programs and exhibitions, and together they have great success with lighting design.

BJØRN + BALLE has delivered a wide range of innovative technical solutions for the industry, as well as beautifully designed products for the consumer market.

*Christian Bjørn
& Rune Balle*

Christian Bjørn & Rune Balle
Owners and designers



Blanche

The Blanche series by Bjørn + Balle is carried out in a classic design with elegant art deco references. Brushed brass details encircle the opalized diffuser that emits a soft light both upwards and downwards. The slim design makes the pendant perfect above a dining table. Dimmable for obtaining the perfect light for every situation.

Learn more about Blanche on p92



Blanche 32, Opal white & brass by Bjørn + Balle

Watch video 







Blanche 42, Opal white & brass by Bjørn + Balle



Nori 27 Pendant, Smoke by Bjørn + Balle



Nori 39 Pendant, Black by Bjørn + Balle

Nori

Nordic minimalism and suspended lightness are the keywords for the Nori pendant series by Danish designers Bjørn + Balle. Organic, rounded shapes furnish the design with an unmistakable ease that is complemented by the warmth of oiled, walnut wood on top.

It fits easily into a wide range of interior design contexts – creating various looks depending on size and colour.

Learn more about Nori on p90





Nori 27 Pendant, Black by Bjørn + Balle







Darci Table, Black by Bjørn + Balle

Darci™

With a cool and industrial design, the Darci series by Bjørn + Balle is both a highly functional and aesthetic addition to your home. Perfect next to your sofa, armchair or any other place in your home that needs a stylish and functional light. The beautifully curved lamp head is easily adjusted whether you need it for reading, working or just adding the right ambience to the room. High quality materials with a satin soft, matt surface radiate a modern and streamlined look.

Learn more about Darci on p88

Strap Floor, Black by Bjørn + Balle



*Strap*TM

Metal and leather goes well with the light Nordic style. The combination of these materials allows the light to visually interact with a modern interior, where combining materials is one of the biggest trends. With Strap it seems obvious – just as obvious as how a Nordic light design is named after a leather strap.

Learn more about Strap on p96





Strap Table 16, Opal by Bjørn + Balle



The narrow and elegant leather gives Strap a warm and raw look, balancing a classic and the industrial expression. It comes with two leather straps in brown and black respectively, so it's up to you to give the Strap its final look.



Strap Pendant 16, Opal by Bjørn + Balle



Bønnelycke mdd

Unconventional architect with no whims and fancies
Based in Aarhus, Denmark

Bønnelycke Mdd was established in 1988. Driven by a nosurpressable urge and desire to work constructively and innovatively, Bønnelycke mdd started his career with the design of lamps, furniture and interior decorating. Quickly, he became known as an unconventional architect with no whims and fancies. His ability to challenge and optimize the manufacturing process itself is to be found in Henrik's original professional background as a toolmaker. "It could be fun" and "of course it can be done" – are phrases often used in his company.

From day one, the core of his work has been to create products simply because they are needed. Designs by Bønnelycke Mdd grow out of a specific need or requirement expressed by the customer – and by the general public as such. This has resulted in a comprehensive portfolio of projects and designs allowing the company to slowly but steadily expand over the years.



Bønnelycke mdd
Owner and architect







Mimi 2-spot, Black by Bønnelycke mdd



Mimi 3-spot, Black by Bønnelycke mdd

Mimi™

The slim and elegant design of the Mimi spots by Bønnelycke MDD fits perfectly in a hallway, kitchen or any other space that needs a pleasant, directional light.

The spots can be turned and tilted to light up specific areas or larger surfaces. Soft golden details add a unique touch to the classic design.

Learn more about Mimi on p101





Nono Pendant 23, White by Bønnelycke mdd

*Nono*TM

Danish designer Bønnelycke MDD has designed the Nono series with inspiration from modern, geometric shapes. The design language is simple and timeless, carried out in solid, high quality materials. An acrylic diffuser hides the bulb and creates a pleasant light with no glare. Perfect over a dining table where it will emit a soft and functional light.

Learn more about Nono on p100



Nono Pendant 23, Black by Bønnelycke mdd





Nobu Wall, Grey by Bønnelycke mdd



NobuTM

The Nobu table lamp by Danish designer Bønnelycke MDD is the perfect classic table or wall light carried out in a modern and minimalist design.

The lamp can easily be adjusted in both lamp head and arm for a functional work light, reading light or any other need. A gentle tap on the touch switch with light indication turns the lamp on and off.

Learn more about Nobu on p102



Nobu Clamp, Grey by Bønnelycke mdd



Nobu Table, Black by Bonnellycke mdd





NexusTM 2.0

NEXUS 2.0 is an exciting series that epitomises Nordic cool. We are relaunching the series in black and white with a new silky matte surface. The details tell the story of a light with an opulent design, for example, the toggle switch in the best retro style, the elegant rotatable joint in solid brass and the pendant's invisible transition between shade and cord.

Learn more about Nexus 2.0 on p112







Nexus 2.0 Table, Black by Bønnelycke mdd



Nexus 2.0 Pendant 20, White by Bønnelycke mdd

Sometimes an evergreen needs an update, and that is what we have given the Nexus series. The on/off switch is now stronger and in brushed brass to match the joint, the wall lamp has a moulded bracket and the surface of the whole series is now satin soft.



Artist™

With its contemporary design and simple shape, the award-winning Artist is a beautiful candidate for a future classic. The build-in LED panel is covered with a opalized shade, which soften and defuse the light. As the name suggests, the design is inspired from the world of music – by a drum kit cymbal.

Learn more about Artist on p103



Artist 40 Pendant, Beige by Bønnelycke mdd

Artist 25 Pendant, Black by Bønnelycke mdd
Artist 25 Pendant, Grey by Bønnelycke mdd
Artist 25 Pendant, Copper by Bønnelycke mdd
Artist 40 Pendant, Black by Bønnelycke mdd
Artist 40 Pendant, Grey by Bønnelycke mdd
Artist 40 Pendant, Copper by Bønnelycke mdd







MIB Ceiling, White by Bønnelycke mdd



MIB™

The MIB series has been extended with an elegant and minimalist spot for ceiling mounting. The spot has been developed to be mounted directly over the power outlet in the ceiling. Therefore, there is no on/off on the lamp – this is controlled by your switch in the wall. The sleek and adjustable lamp head can be directed to where you need the light. The beautiful and simple design gives a minimalist expression and will fit into many styles and interior settings.

Learn more about MIB on p116



SpaceB

SpaceB realises the desire to create an extremely simple lamp in terms of expression. The simple and current design is given a particular twist of pleasant lighting through three different settings for temperature and brightness. An illuminating surprise element which sets new standards for innovative lighting and contributes great functional value. The sculptural floor lamp can be tilted to all sides, and if you place it so that it shines its light against the wall, a decoration of light appears on the wall – particularly visual if you place several lights side by side, tilt them in different directions and choose different colour temperatures.

Learn more about SpaceB on p111



Collection
2021



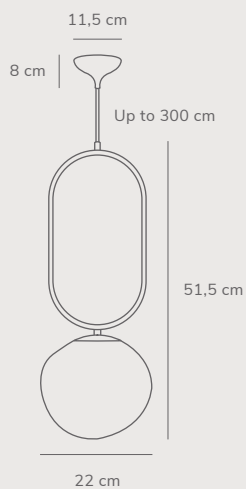
Shapes 22 by Maria Berntsen

Masterbox	Qty 3
Size	H: 51,5 cm, L: 22 cm, Shade Ø: 22 cm, Pipe Ø: 1,53 cm
Material	Glass/Metal
IP Class	IP 20, Class 2
Cable	Textile cable: Black 300 cm non replaceable
Canopy	Color: Black, Material: Plastic Ø: 11,5 cm, H: 8 cm
Light source	E27, Max. 15W, Excl. light source, Dimmable with compatible bulb and wall switch



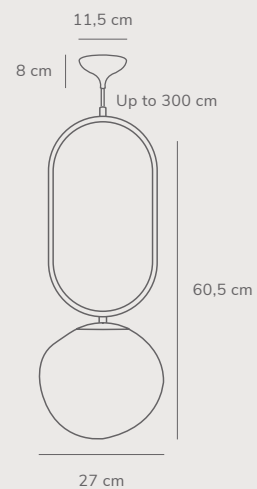
Shapes 27 by Maria Berntsen

Masterbox	Qty 2
Size	H: 60,5 cm, W: 22 cm, L: 27 cm, Shade Ø: 27 cm, Pipe Ø: 1,53 cm
Material	Glass/Metal
IP Class	IP 20, Class 2
Cable	Textile cable: Black 300 cm non replaceable
Canopy	Color: Black, Material: Plastic Ø: 11,5 cm, H: 8 cm
Light source	E27, Max. 15W, Excl. light source, Dimmable with compatible bulb and wall switch



Features

Exclusive materials - shiny brass and opal glass
Soft and diffused light through the opalized glass shade
Mouth blown asymmetrical glass



Features

Exclusive materials - shiny brass and opal glass
Soft and diffused light through the opalized glass shade
Mouth blown asymmetrical glass

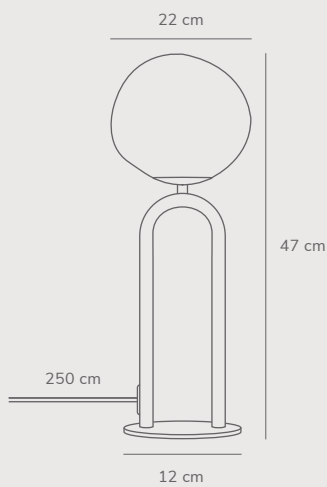


Shapes by Maria Berntsen

Masterbox	Qty 3
Size	H: 47 cm, W: 18 cm, L: 22 cm, Shade Ø: 22 cm, Pipe Ø: 1,53 cm, Base Ø: 14 cm
Material	Glass/Metal
IP Class	IP 20, Class 2
Cable	Textile cable: Black 250 cm non replaceable Switch on cable
Light source	E27, Max. 15W, Excl. light source,

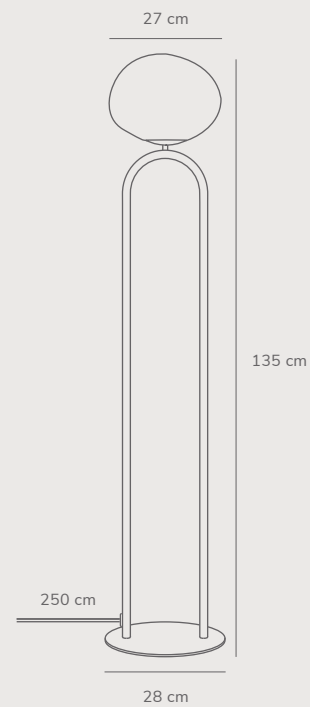
Shapes Floor by Maria Berntsen

Masterbox	Qty 2
Size	H: 135 cm, Shade Ø: 27 cm, Pipe Ø: 1,9 cm, Base Ø: 28 cm
Material	Glass/Metal
IP Class	IP 20, Class 2
Cable	Cable: Black 250 cm non replaceable Switch on cable
Light source	E27, Max. 15W, Excl. light source,



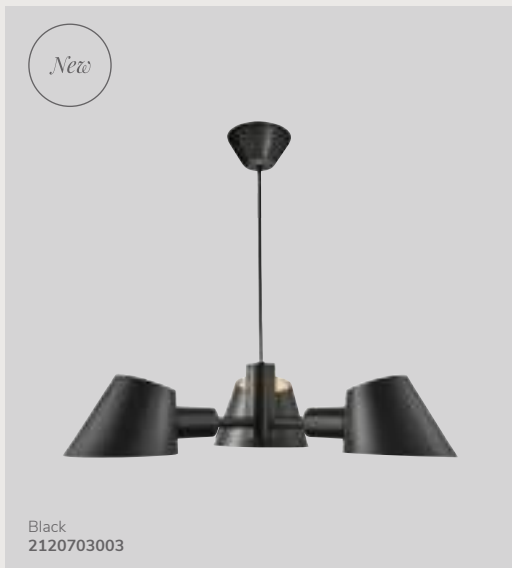
Features

Exclusive materials - shiny brass and opal glass
Soft and diffused light through the opalized glass shade
Mouth blown asymmetrical glass



Features

Exclusive materials - shiny brass and opal glass
Soft and diffused light through the opalized glass shade
Mouth blown asymmetrical glass



New

Black
2120703003



Grey
2120703010



Black
2020455003



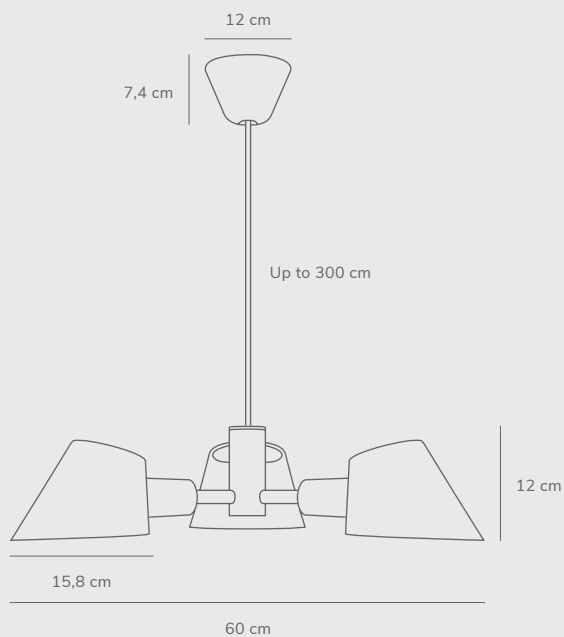
Grey
2020455010

Stay™ by Maria Berntsen

Masterbox	Qty 3
Size	H: 12 cm, Ø: 60 cm, Shade Ø: 15,8 cm
Material	Aluminium/Metal
IP Class	IP20, Class 2
Cable	Textile cable: Black/Grey 300 cm non replaceable
Canopy	Color: Black/Grey, Material: Plastic Ø: 12 cm, H: 7,4 cm
Light source	E27, Max. 28W, Excl. light source, Dimmable with compatible bulb and wall switch

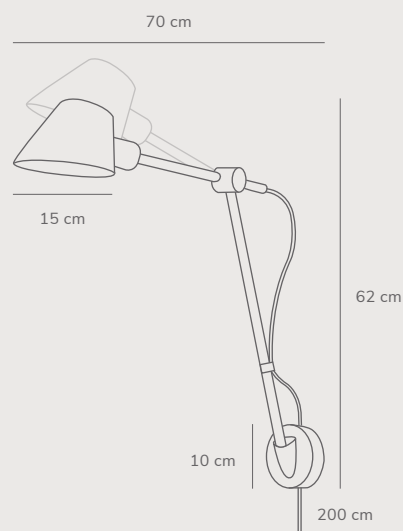
Stay™ Long Wall by Maria Berntsen

Masterbox	Qty 2
Size	H: 54,5 cm, D: 72,3 cm, Shade Ø: 15 cm, Pipe Ø: 1,57 cm, Base mount: Ø10 cm Base Ø: 10 cm
Material	Metal/Aluminium - Metal
IP Class	IP20, Class 2
Cable	Textile cable: Black/Grey 180 cm replaceable Switch on fixture
Light source	E27, Max. 60W, Excl. light source,



Features

Beautiful centrepiece pendant - perfect above a dining table
Satin soft, matt surface
Lights both up and down
BIM file available



Features

Modern, yet timeless design
Adjustable lamp head and arm
Lights both up and down
BIM file available

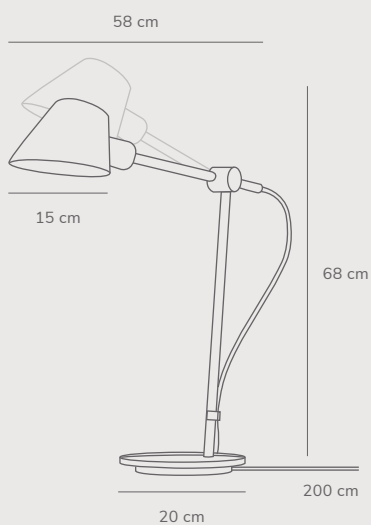


Grey
2020445010

Black
2020445003

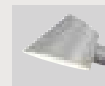
Stay™ Long Table by Maria Berntsen

Masterbox	Qty 2
Size	H: 53,1 cm, D: 58,7 cm, Shade Ø: 15 cm, Pipe Ø: 1,57 cm, Base Ø: 20 cm
Material	Metal/Aluminium
IP Class	IP20, Class 2
Cable	Textile cable: Black/Grey 250 cm non replaceable Switch on fixture
Light source	E27, Max. 40W, Excl. light source,



Features

- Modern, yet timeless design
- Adjustable lamp head and arm
- Lights both up and down
- BIM file available

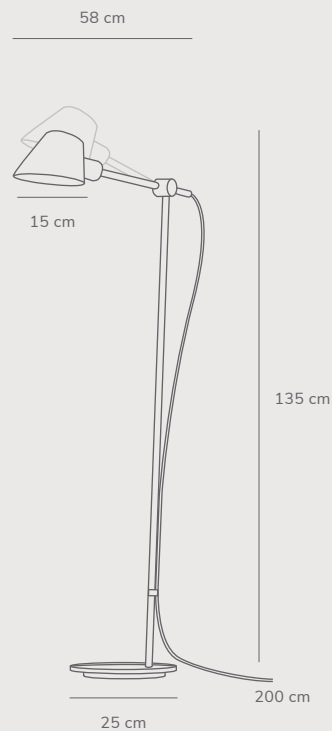


Grey
2020464010

Black
2020464003

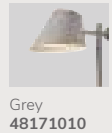
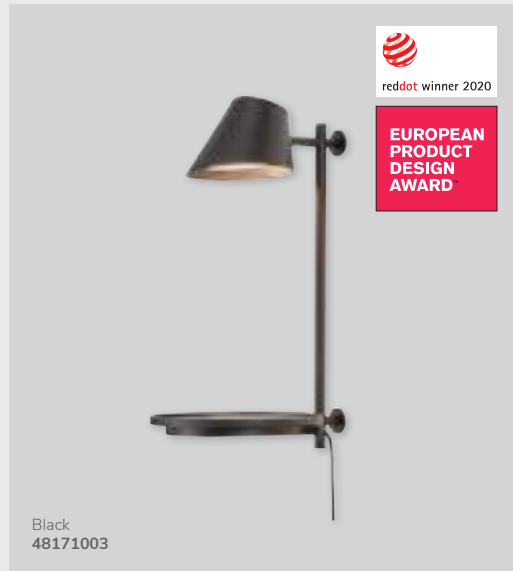
Stay™ Floor by Maria Berntsen

Masterbox	Qty 1
Size	H: 129,2 cm, D: 58,7 cm, Shade Ø: 15 cm, Pipe Ø: 1,57 cm, Base Ø: 25 cm
Material	Metal/Aluminium
IP Class	IP20, Class 2
Cable	Textile cable: Black/Grey 250 cm non replaceable Switch on fixture
Light source	E27, Max. 60W, Excl. light source,



Features

- Modern, yet timeless design
- Adjustable lamp head and arm
- Lights both up and down
- BIM file available

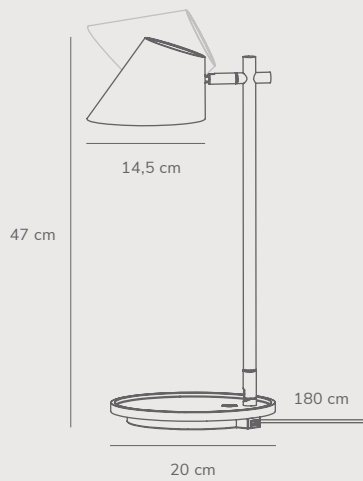


Stay™ by Maria Berntsen

- Masterbox** Qty 2
- Size** H: 47 cm, Shade Ø: 14,5 cm,
Pipe Ø: 1,2 cm, Base Ø: 20 cm,
Tilt angle: 90°
- Material** Aluminium/Plastic
- IP Class** IP20, Class 2
- Cable** Textile cable: Black/Grey 180 cm non
replaceable
Switch on fixture
- Light source** Fixed LED, Incl. 14,5W LED,
Incl. Touch switch/dimmer on fixture,
Lumen 700, Kelvin 2700, Life hours 20.000,
RA 80, Beam angle 100°, Dimmable

Stay™ by Maria Berntsen

- Masterbox** Qty 2
- Size** H: 44,5 cm, W: 22 cm, D: 27 cm,
Shade Ø: 14,5 cm, Pipe Ø: 1,2 cm,
Base Ø: 22 cm, Tilt angle: 90°
- Material** Aluminium/Plastic
- IP Class** IP20, Class 2
- Cable** Textile cable:
Black/Grey 180 cm non replaceable
Switch on fixture
- Light source** Fixed LED, Incl. 14,5W LED,
Incl. Touch switch/dimmer on fixture,
Lumen 700, Kelvin 2700, Life hours 20.000,
RA 80, Beam angle 100°, Dimmable



Features

- USB power outlet in the foot of the lamp
- Adjustable lamp head
- Touch on/off and dimming



Features

- USB power outlet in the foot of the lamp
- Adjustable lamp head
- Touch on/off and dimming
- Max. weight on tray 0,5 kg



White
2120095001



Black
2120095003



Grey
2120095010



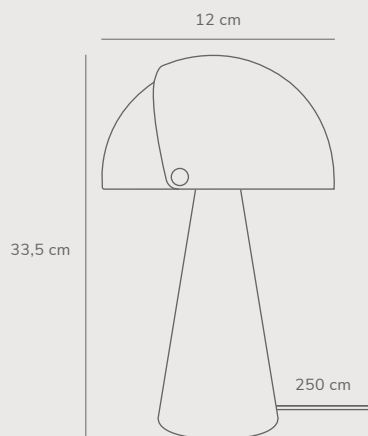
Opal white
2020505001

Align™ by Maria Berntsen

Masterbox	Qty 3
Size	H: 33,5 cm, Shade Ø: 22 cm, Tilt angle: 340°
Material	Metal
IP Class	IP20, Class 2
Cable	Textile cable: White/Black/Grey 250 cm non replaceable Switch on cable
Light source	E27, Max. 25W, Excl. light source,

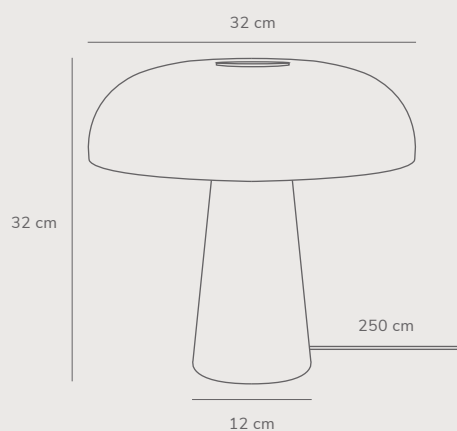
Glossy™ by Maria Berntsen

Masterbox	Qty 2
Size	H: 32 cm, W: 32 cm, L: 32 cm, Ø: 32 cm, Base Ø: 12 cm
Material	Marble/Glass
IP Class	IP20, Class 2
Cable	Textile cable: White 250 cm non replaceable Switch on cable
Light source	E27, Max. 15W, Excl. light source,



Features

- Satin soft, matt surface
- Beautiful brass details
- Movable shade for a playful look and changeable light



Features

- Sophisticated and clean design
- Exclusive marble, glass and brushed brass
- Soft, diffused light through the opalized glass
- BIM file available
- Award winning design



White
2120653001



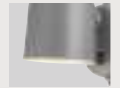
Black
2120653003



White/Telegrey
2120601001



Black
2120601003



Grey
2120601010

Mobile by Maria Berntsen

- Masterbox** Qty 1
- Size** H: 36,8 cm, W: 45 cm, L: 45 cm,
Shade Ø: 45 cm, Pipe Ø: 0,95 cm
- Material** Aluminium/Plastic
- IP Class** IP 20, Class 2
- Cable** Textile cable: Black 300 cm non replaceable
- Canopy** Color: Black, Material: Plastic
Ø: 15,5 cm, H: 3,3 cm
- Light source** 3xG9, Max. 3X5W, Excl. light source,

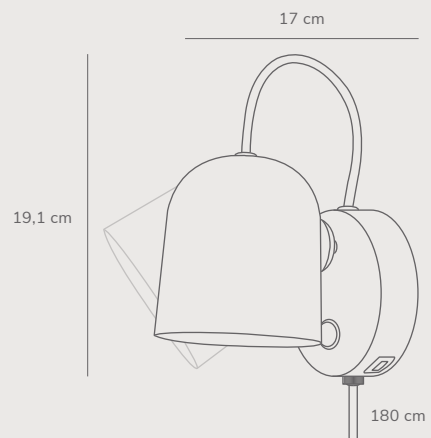


Features

- Satin soft, matt surface
- Opalized top shade reflects a diffused and glare-free light
- Possible to center and diffuse light output

Angle™ by Maria Berntsen

- Masterbox** Qty 3
- Size** H: 19,1 cm, W: 11 cm, L: 17 cm,
Shade Ø: 10,5 cm, Base Ø: 11 cm,
Tilt angle: 170°
- Material** Metal/Plastic
- IP Class** IP20, Class 2
- Cable** Textile cable:
White/Black/Grey 180 cm replaceable
Switch on fixture
- Light source** GU10, Max. 25W, Excl. light source,



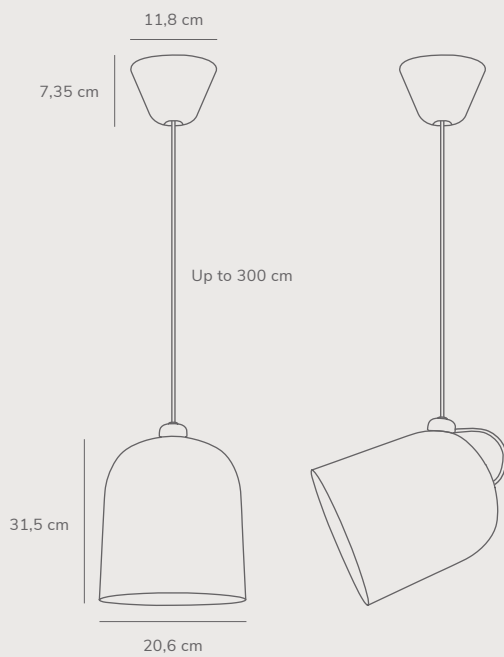
Features

- Satin soft, matt surface
- Magnet for easy adjustment of the shade
- USB port for charging your phone or other device



Angle™ by Maria Berntsen

Masterbox	Qty 3
Size	H: 31,5 cm, Shade Ø: 20,6 cm
Material	Metal/Plastic
IP Class	IP20, Class 2
	Textile cable: White/Black/Grey 300 cm
Canopy	Color: White/Black/Grey, Material: Plastic Ø: 11,85 cm, H: 7,35 cm
Light source	E27, Max. 60W, Excl. light source,



Features

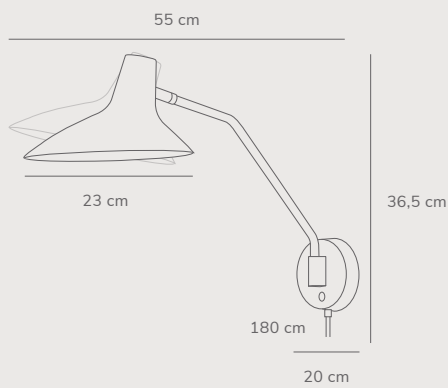
- Minimalistic shape and design
- Possible to position pendant in different angles
- Change position with magnet on the cord
- BIM file available



Black
2120551003

Darci™ by Bjørn + Balle

Masterbox	Qty 3
Size	H: 36,5 cm, W: 22,7 cm, L: 55 cm, Shade Ø: 23 cm, Shade H: 16,5 cm, Pipe Ø: 1,25 cm, Base Ø: 11 cm, Tilt angle: 135°
Material	Metal/Plastic
IP Class	IP20, Class 2
Cable	Textile cable: Black 180 cm replaceable Switch on fixture
Light source	E14, Max. 25W, Excl. light source,



Features

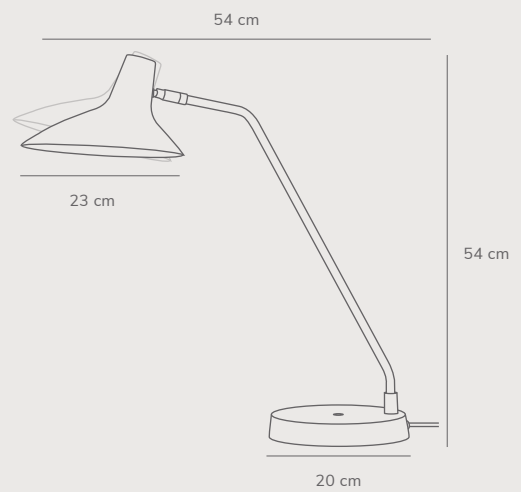
- Solid, high quality materials
- Swivel/tilt joint for easy adjustment of lamp head
- On/off touch switch on wall base



Black
2120565003

Darci™ by Bjørn + Balle

Masterbox	Qty 2
Size	H: 55 cm, W: 22,7 cm, L: 54 cm, Shade Ø: 23 cm, Shade H: 16,5 cm, Pipe Ø: 1,25 cm, Base Ø: 20 cm, Tilt angle: 135°
Material	Metal/Plastic
IP Class	IP20, Class 2
Cable	Textile cable: Black 250 cm non replaceable Switch on fixture
Light source	E14, Max. 25W, Excl. light source,



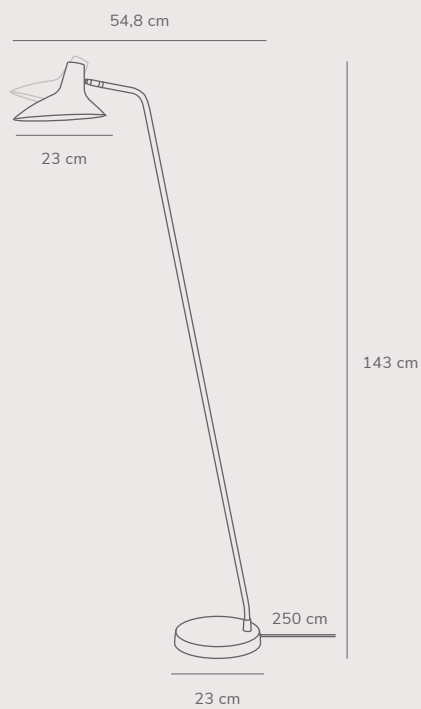
Features

- Solid, high quality materials
- Swivel/tilt joint for easy adjustment of lamp head
- On/off touch switch on base



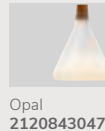
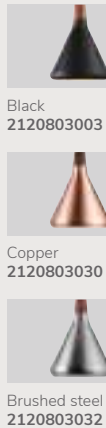
Darci™ by Bjørn + Balle

Masterbox	Qty 2
Size	H: 143 cm, W: 23 cm, L: 54,8 cm, Shade Ø: 23 cm, Shade H: 16,5 cm, Pipe Ø: 1,56 cm, Base Ø: 23 cm, Tilt angle: 135°
Material	Metal/Plastic
IP Class	IP20, Class 2
Cable	Textile cable: Black 250 cm non replaceable Switch on cable
Light source	E14, Max. 25W, Excl. light source,



Features

- Solid, high quality materials
- Swivel/tilt joint for easy adjustment of lamp head
- On/off floor switch on cable

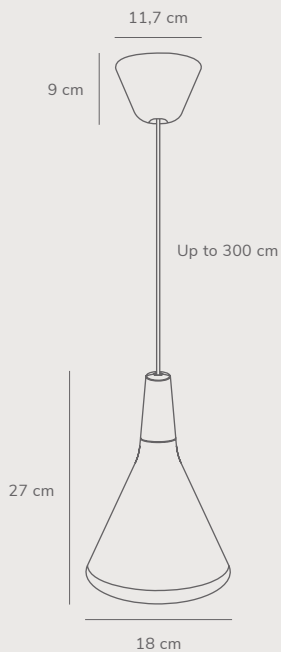


Nori 18 by Bjørn + Balle

Masterbox	Qty 3
Size	H: 26,5 cm, W: 18 cm, L: 18 cm, Shade Ø: 18 cm
Material	Metal/Wood
IP Class	IP20, Class 2
Cable	Textile cable: White/Black 300 cm non replaceable
Canopy	Color: White/Black, Material: Plastic Ø: 11,7 cm, H: 9 cm
Light source	E27, Max. 40W, Excl. light source, Dimmable with compatible bulb and wall switch

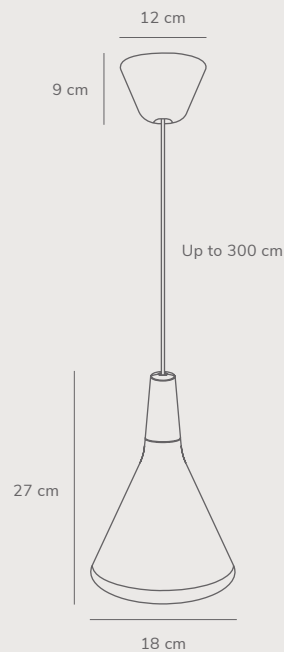
Nori 18 by Bjørn + Balle

Masterbox	Qty 3
Size	H: 26,5 cm, Shade Ø: 18 cm
Material	Glass/Wood
IP Class	IP20, Class 2
Cable	Textile cable: White/Black 300 cm non replaceable
Canopy	Color: White/Black, Material: Plastic Ø: 12 cm, H: 9 cm
Light source	E27, Max. 60W, Excl. light source, Dimmable with compatible bulb and wall switch



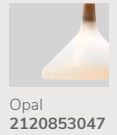
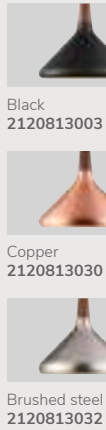
Features

Beautiful alone or in a cluster of different sizes
Cool material mix of metal and wood
Oiled walnut top (FSC certified)



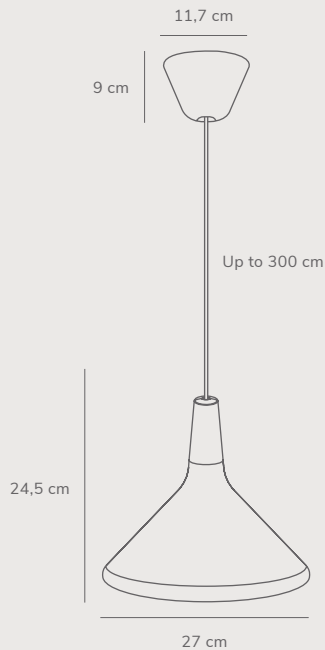
Features

Beautiful alone or in a cluster of different sizes
Cool material mix of glass and wood
Oiled walnut top (FSC certified)



Nori 27 by Bjørn + Balle

Masterbox	Qty 3
Size	H: 24,5 cm, W: 27 cm, L: 27 cm, Shade Ø: 27 cm
Material	Metal/Wood
IP Class	IP20, Class 2
Cable	Textile cable: White/Black 300 cm non replaceable
Canopy	Color: White/Black, Material: Plastic Ø: 11,7 cm, H: 9 cm
Light source	E27, Max. 40W, Excl. light source, Dimmable with compatible bulb and wall switch

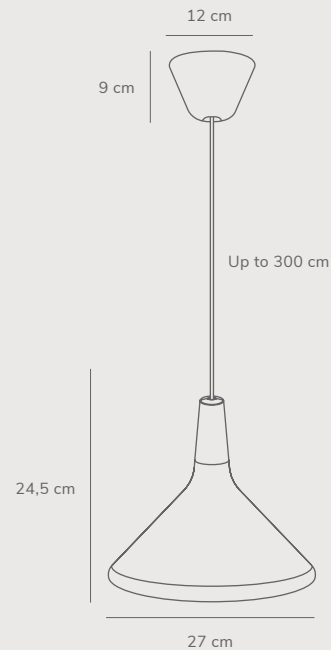


Features

Beautiful alone or in a cluster of different sizes
Cool material mix of metal and wood
Oiled walnut top (FSC certified)

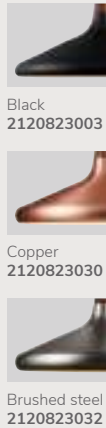
Nori 27 by Bjørn + Balle

Masterbox	Qty 3
Size	H: 24,5 cm, Shade Ø: 27 cm
Material	Glass/Wood
IP Class	IP20, Class 2
Cable	Textile cable: White/Black 300 cm non replaceable
Canopy	Color: White/Black, Material: Plastic Ø: 12 cm, H: 9 cm
Light source	E27, Max. 60W, Excl. light source, Dimmable with compatible bulb and wall switch



Features

Beautiful alone or in a cluster of different sizes
Cool material mix of glass and wood
Oiled walnut top (FSC certified)

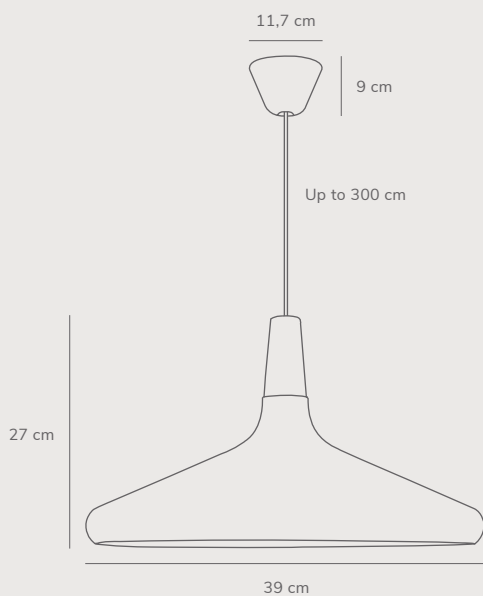


Nori 39 by Bjørn + Balle

Masterbox	Qty 2
Size	H: 22 cm, W: 39 cm, L: 39 cm, Shade Ø: 39 cm
Material	Metal/Wood
IP Class	IP20, Class 2
Cable	Textile cable: White/Black 300 cm non replaceable
Canopy	Color: White/Black, Material: Plastic Ø: 11,7 cm, H: 9 cm
Light source	E27, Max. 40W, Excl. light source,

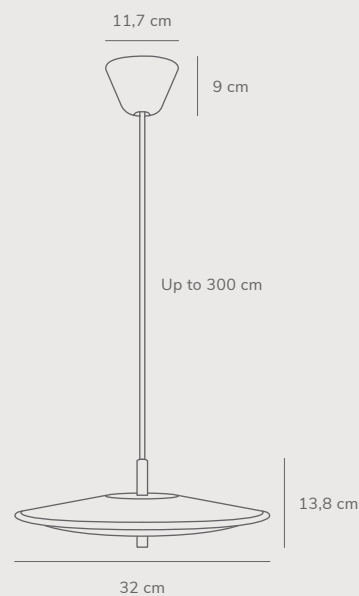
Blanche 32 by Bjørn + Balle

Masterbox	Qty 2
Size	H: 13,8 cm, W: 31,7 cm, L: 31,7 cm, Shade Ø: 31,7 cm
Material	Metal/Plastic
IP Class	IP 20, Class 2
Cable	Textile cable: White 300 cm non replaceable
Canopy	Color: White, Material: Plastic Ø: 11,7 cm, H: 9 cm
Light source	Fixed LED, Incl. 15W LED, Lumen 1080, Kelvin 2700, Life hours 25.000, RA 80, Dimmable



Features

- Beautiful alone or in a cluster of different sizes
- Cool material mix of metal and wood
- Oiled walnut top (FSC certified)



Features

- Elegant brushed brass details
- Built-in LED
- Dimmable on wall switch



Blanche 32 by Bjørn + Balle

Masterbox	Qty 2
Size	H: 13,8 cm, W: 42,8 cm, L: 42,8 cm, Shade Ø: 42,8 cm
Material	Metal/Plastic
IP Class	IP 20, Class 2
Cable	Textile cable: White 300 cm non replaceable
Canopy	Color: White, Material: Plastic Ø: 11,7 cm, H: 9 cm
Light source	Fixed LED, Incl. 25W LED, Lumen 1700, Kelvin 2700, Life hours 25.000, RA 80, Dimmable



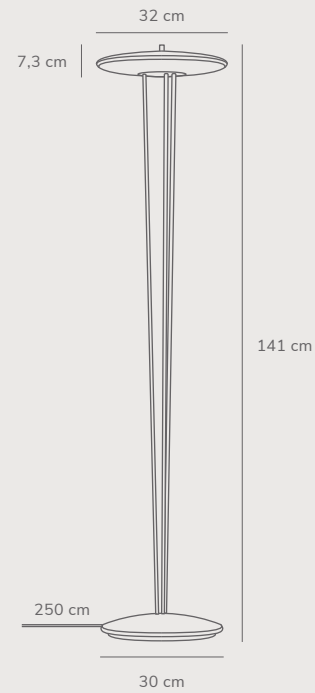
Features

- Elegant brushed brass details
- Built-in LED
- Dimmable on wall switch



Blanche by Bjørn + Balle

Masterbox	Qty 1
Size	H: 141,3 cm, W: 31,7 cm, L: 31,7 cm, Shade Ø: 7,3 cm, Pipe Ø: 1,27 cm, Base Ø: 30 cm
Material	Metal/Plastic
IP Class	IP 20, Class 2
Cable	Textile cable: White 250 cm non replaceable Switch on fixture
Light source	Fixed LED, Incl. 15W LED, Lumen 1080, Kelvin 2700, Life hours 25.000, RA 80, Dimmable



Features

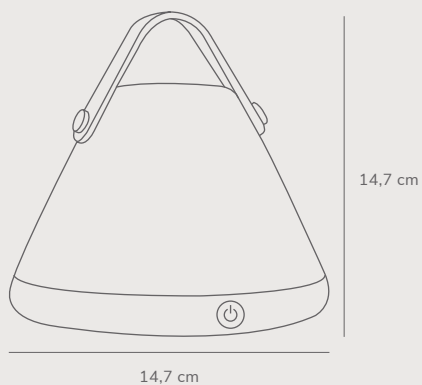
- Elegant brushed brass details
- Built-in LED
- On/off touch switch and dimmer on fixture
- Memory function remembers your last dimmer setting



White/Black
46195001

Strap™ To-Go by Bjørn + Balle

Masterbox	Qty 3
Size	H: 14,7 cm, Shade Ø: 14,7 cm, Base Ø: 15,5 cm
Material	Plastic/Bamboo
IP Class	IP54, Class 3
Light source	Fixed LED, Incl. 2,5W LED, Incl. 3-Step Moodmaker™, Lumen 240, Kelvin 2700, Life hours 30.000, Dimmable



Features

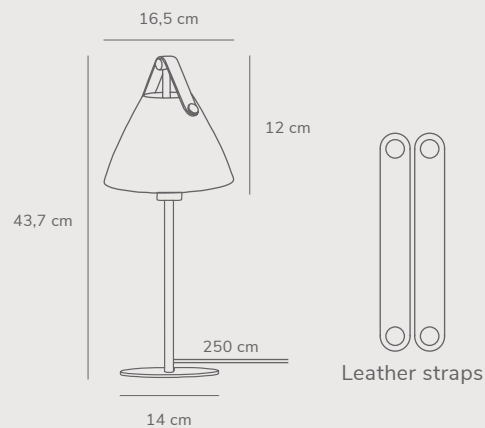
Modern and charming design
Portable table lamp
Nordic style



Brushed steel/Opal Glass
2020025001

Strap™ by Bjørn + Balle

Masterbox	Qty 3
Size	H: 43,7 cm, W: 16,5 cm, L: 16,5 cm, Shade Ø: 16,5 cm, Pipe Ø: 1,2 cm, Base Ø: 14 cm
Material	Metal/Glass
IP Class	IP20, Class 2
Cable	Textile cable: White 250 cm non replaceable Switch on cable
Light source	G9, Max. 25W, Excl. light source,



Features

Material mix opalized glass, leather and metal
Incl. black and neutral coloured leather strap
Nordic style



Black
46205003

White
46205001



Black
46234003

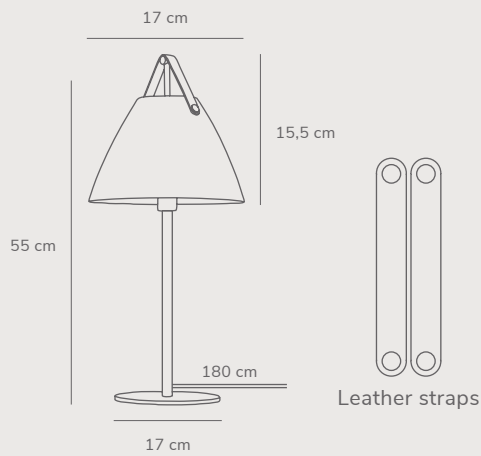
White
46234001

Strap™ by Bjørn + Balle

- Masterbox** Qty 3
- Size** H: 55 cm, Shade Ø: 25 cm,
Shade H: 15,5 cm, Pipe Ø: 1,57 cm,
Base Ø: 17 cm
- Material** Metal/Leather
- IP Class** IP20, Class 2
- Cable** Textile cable:
White/Black 180 cm non replaceable
Switch on cable
- Light source** E27, Max. 40W, Excl. light source,

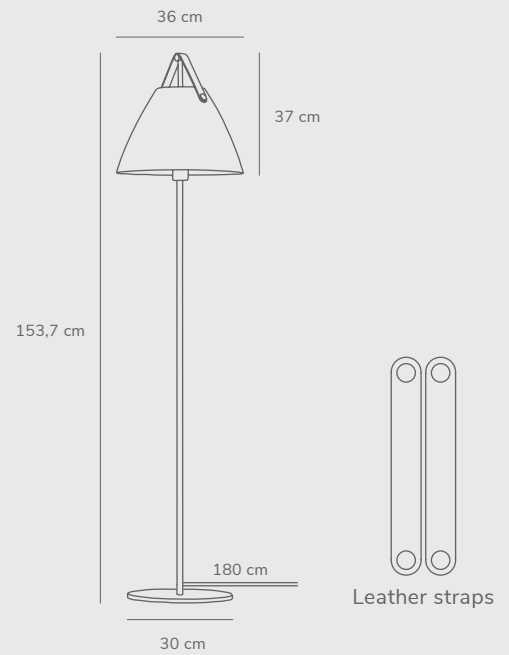
Strap™ by Bjørn + Balle

- Masterbox** Qty 2
- Size** H: 153,7 cm, Shade Ø: 36 cm,
Pipe Ø: 1,57 cm, Base Ø: 30 cm
- Material** Metal/Leather
- IP Class** IP20, Class 2
- Cable** Textile cable:
White/Black 180 cm non replaceable
Switch on fixture
- Light source** E27, Max. 40W, Excl. light source,



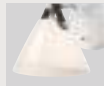
Features

- Material mix, leather and metal
- Incl. black and neutral coloured leather strap
- Nordic style
- BIM file available



Features

- Material mix, leather and metal
- Incl. black and neutral coloured leather strap
- Nordic style
- BIM file available



White
46241001

Black
46241003



White
84291001

Black
84291003

Strap™ 15 by Bjørn + Balle

Masterbox	Qty 3
Size	H: 17 cm, D: 21,5 cm, Shade Ø: 16,5 cm, Pipe Ø: 1,6 cm, Base mount: Ø 12,3 cm
Material	Glass/Leather
IP Class	IP20, Class 2
Cable	Textile cable: White 200 cm replaceable Switch on fixture
Light source	G9, Max. 28W, Excl. light source,

Strap™ 15 by Bjørn + Balle

Masterbox	Qty 3
Size	H: 17 cm, D: 21,5 cm, Shade Ø: 16,5 cm, Pipe Ø: 1,6 cm, Base mount: Ø 12,3 cm
Material	Metal/Leather
IP Class	IP20, Class 2
Cable	Textile cable: White/Black 180 cm replaceable Switch on fixture
Light source	GU10, Max. 8W, Excl. light source,

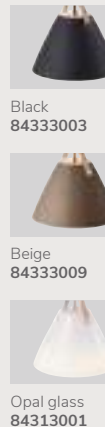
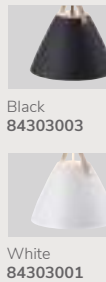


Features

Material mix opalized glass, leather and metal
Incl. black and neutral coloured leather strap
Nordic style
BIM file available

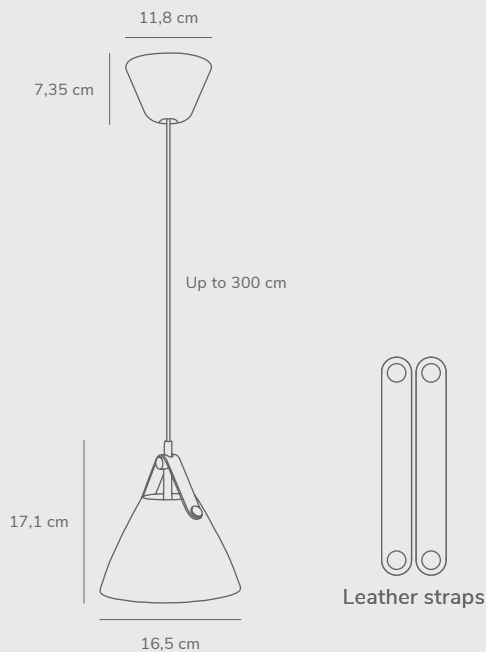
Features

Material mix leather and metal
Incl. black and neutral coloured leather strap
Nordic style
BIM file available



Strap™ 16 by Bjørn + Balle

Masterbox	Qty 3
Size	H: 17 cm, Shade Ø: 16,5 cm
Material	Metal/Leather
IP Class	IP20, Class 2
Cable	Textile cable: White/Black 300 cm non replaceable
Canopy	Color: White/Black, Material: Plastic Ø: 11,8 cm, H: 7,35 cm
Light source	GU10, Max. 40W, Excl. light source, Dimmable with compatible bulb and wall switch

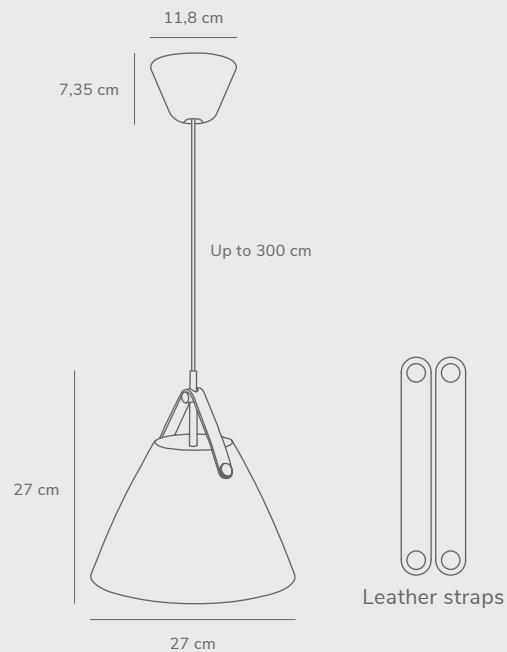


Features

Material mix opalized glass/metal and leather
Incl. black and neutral coloured leather strap
Nordic style
BIM file available

Strap™ 27 by Bjørn + Balle

Masterbox	Qty 3
Size	H: 27 cm, Shade Ø: 27 cm
Material	Metal/Leather
IP Class	IP20, Class 2
Cable	Textile cable: White/Black 300 cm non replaceable
Canopy	Color: White/Black, Material: Plastic Ø: 11,8 cm, H: 7,35 cm
Light source	E27, Max. 40W, Excl. light source, Dimmable with compatible bulb and wall switch

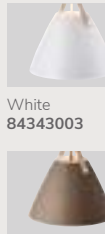


Features

Material mix opalized glass/metal and leather
Incl. black and neutral coloured leather strap
Nordic style
BIM file available



Black
84343001

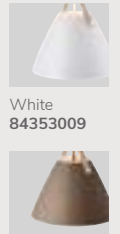


White
84343003

Beige
84343009



Black
84353003

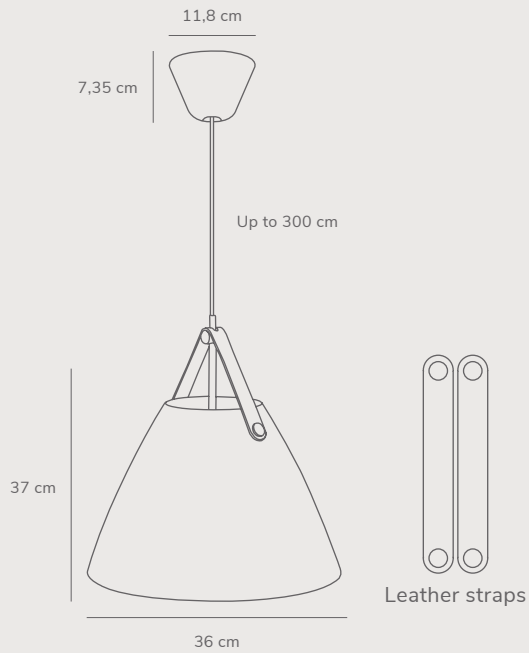


White
84353009

Beige
84353009

Strap™ 36 by Bjørn + Balle

- Masterbox** Qty 2
- Size** H: 37 cm, Shade Ø: 36 cm
- Material** Metal/Leather
- IP Class** IP20, Class 2
- Cable** Textile cable:
White/Black 300 cm non replaceable
- Canopy** Color: White/Black,
Material: Plastic
Ø: 11,8 cm, H: 7,35 cm
- Light source** E27, Max. 40W, Excl. light source,
Dimmable with compatible bulb
and wall switch

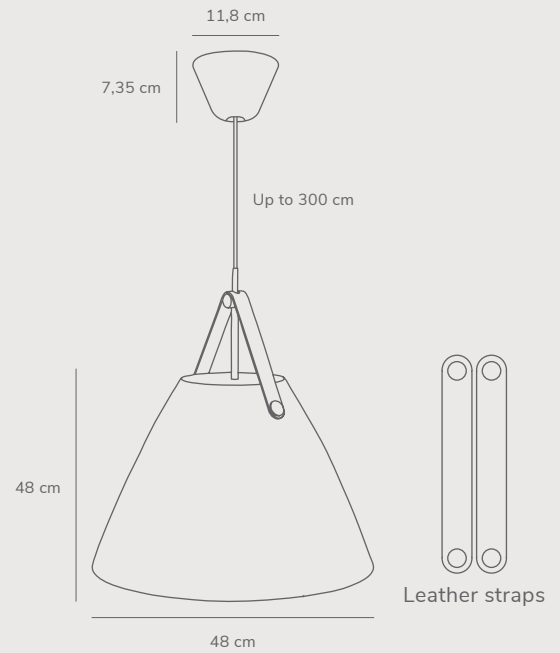


Features

- Material mix, leather and metal
- Incl. black and neutral coloured leather strap
- Nordic style
- BIM file available

Strap™ 48 by Bjørn + Balle

- Masterbox** Qty 1
- Size** H: 48 cm, Shade Ø: 48 cm
- Material** Metal/Leather
- IP Class** IP20, Class 2
- Cable** Textile cable:
White/Black 300 cm non replaceable
- Canopy** Color: White/Black, Material: Plastic
Ø: 11,8 cm, H: 7,35 cm
- Light source** E27, Max. 40W, Excl. light source,
Dimmable with compatible bulb
and wall switch



Features

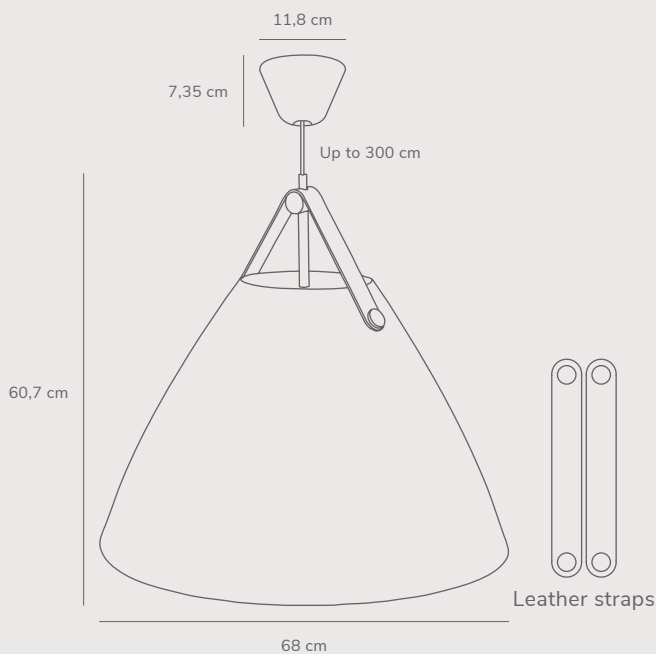
- Material mix, leather and metal
- Incl. black and neutral coloured leather strap
- Nordic style
- BIM file available



Black
84363003

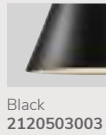
Strap™ 68 by Bjørn + Balle

Masterbox	Qty 1
Size	H: 60,7 cm, Shade Ø: 68 cm
Material	Metal/Leather
IP Class	IP20, Class 2
Cable	Textile cable: Black 300 cm non replaceable
Canopy	Color: Black, Material: Plastic Ø: 11,84 cm, H: 9 cm
Light source	E27, Max. 60W, Excl. light source, Dimmable with compatible bulb and wall switch

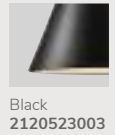


Features

- Material mix, leather and metal
- Incl. black and neutral coloured leather strap
- Nordic style
- BIM file available



Black
2120503003



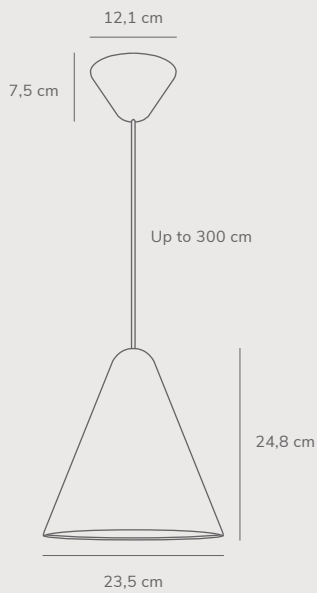
Black
2120523003

Nono™ 23,5 by Bønnelycke mdd

Masterbox	Qty 3
Size	H: 24,8 cm, W: 23,5 cm, L: 23,5 cm, Shade Ø: 23,5 cm
Material	Metal/Plastic
IP Class	IP 20, Class 2
Cable	Textile cable: White/Black 300 cm non replaceable
Canopy	Color: White/Black, Material: Plastic Ø: 12,1 cm, H: 7,5 cm
Light source	E27, Max. 40W, Excl. light source, Dimmable with compatible bulb and wall switch

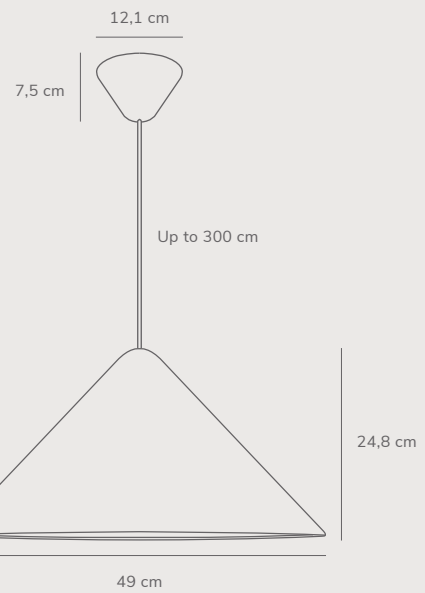
Nono™ 49 by Bønnelycke mdd

Masterbox	Qty 3
Size	H: 24,8 cm, W: 49 cm, L: 49 cm, Shade Ø: 49 cm
Material	Metal/Plastic
IP Class	IP 20, Class 2
Cable	Textile cable: White/Black 300 cm non replaceable
Canopy	Color: White/Black, Material: Plastic Ø: 12,1 cm, H: 7,5 cm
Light source	E27, Max. 50W, Excl. light source, Dimmable with compatible bulb and wall switch



Features

Satin soft, matt surface
Diffuser creates a soft and glare-free light



Features

Satin soft, matt surface
Diffuser creates a soft and glare-free light



Black
2120456003



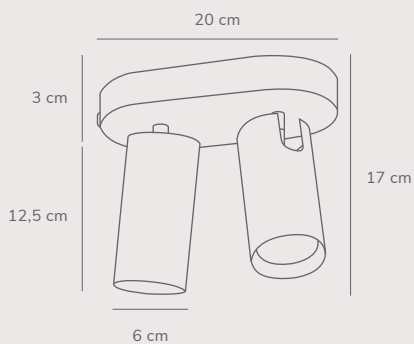
Black
2120476003

Mimi™ by Bønnelycke mdd

Masterbox	Qty 3
Size	H: 17,1 cm, W: 20 cm, D: 10 cm, Shade Ø: 6 cm, Tilt angle: 90°
Material	Metal/Plastic
IP Class	IP20, Class 2
Canopy	Color: Black, Material: Aluminium Ø: 30 cm, H: 3 cm
Light source	GU10, Max. 25W, Excl. light source,

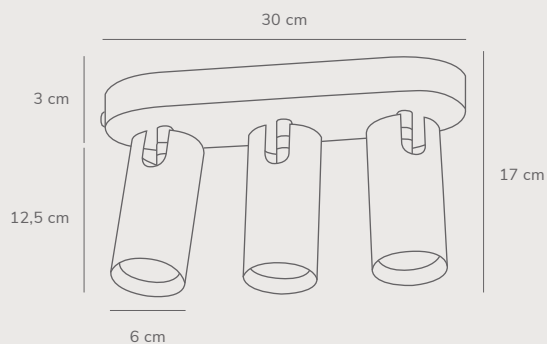
Mimi™ by Bønnelycke mdd

Masterbox	Qty 3
Size	H: 17,1 cm, W: 30 cm, D: 10 cm, Shade Ø: 6 cm, Tilt angle: 90°
Material	Metal/Plastic
IP Class	IP20, Class 2
Canopy	Color: Black, Material: Aluminium Ø: 30 cm, H: 3 cm
Light source	GU10, Max. 25W, Excl. light source,



Features

- Beautiful golden details
- Adjustable, directional light
- Slim design that is perfect also for smaller spaces



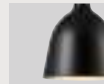
Features

- Beautiful golden details
- Adjustable, directional light
- Slim design that is perfect also for smaller spaces



Grey
2120405010

Black
2120405003



Black
48123003

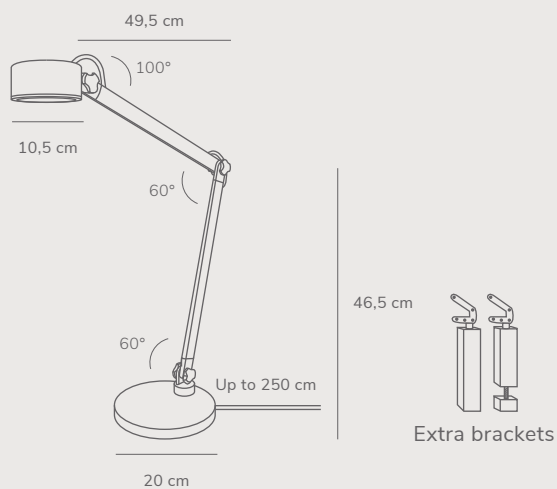
White
48123001

Nobu™ by Bønnelycke mdd

Masterbox	Qty 1
Size	H: 46,5 cm, W: 10,5 cm, L: 49,5 cm, Shade Ø: 10,5 cm, Pipe Ø: 3 cm, Base Ø: 20 cm, Tilt angle: 30°
Material	Metal/Plastic
IP Class	IP 20, Class 2
Cable	Textile cable: Black/Grey 250 cm non replaceable Switch on fixture
Light source	Fixed LED, Incl. 9W LED, Lumen 600, Kelvin 2700, Life hours 25.000, RA 90, Dimmable

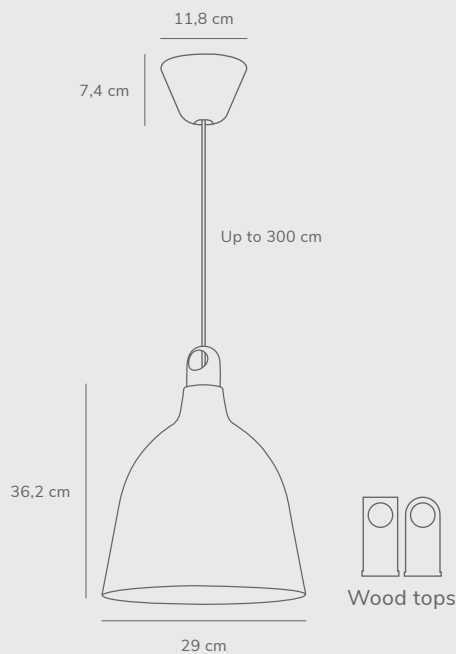
Moku 29 by Bønnelycke mdd

Masterbox	Qty 2
Size	Shade Ø: 29 cm, Shade H: 36,2 cm
Material	Metal/Wood
IP Class	IP20, Class 2
Cable	Textile cable: White/Black 300 cm non replaceable
Canopy	Color: White/Black, Material: Plastic Ø: 11,8 cm, H: 7,35 cm
Light source	E27, Max. 60W, Excl. light source, Dimmable with compatible bulb and wall switch



Features

- Build-in LED RA 90
- On/off touch switch with light indication
- Adjustable in both lamp head and arm
- Incl. table foot, table clamp and wall bracket
- Memory function



Features

- Modern shape and design
- Incl. 2 FSC ash wood tops which are exchangeable
- Beautiful matt finish on shade



Beige
83083009



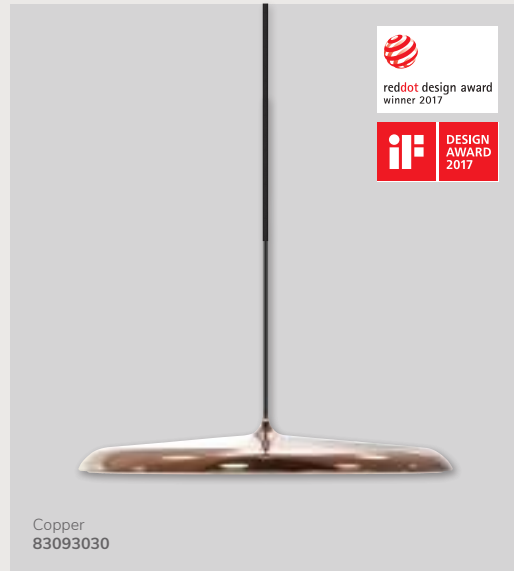
Black
83083003



Grey
83083010



Copper
83083030



Copper
83093030



Black
83093003



Grey
83093010



Beige
83093009

Artist™ 25 by Bønnelycke mdd

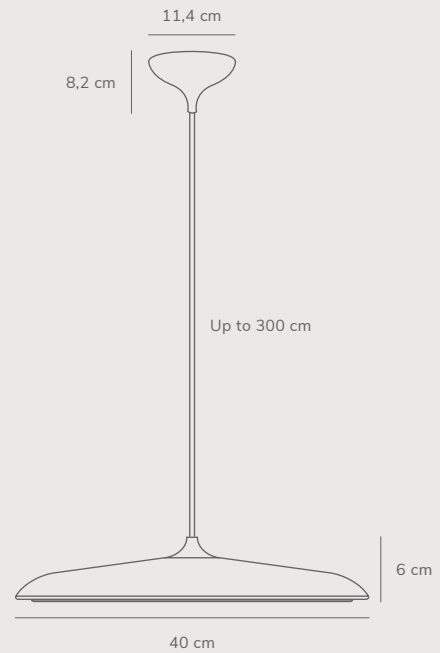
- Masterbox** Qty 2
- Size** Shade Ø: 25 cm
- Material** Metal/Plastic
- IP Class** IP20, Class 2
- Textile cable:** Black/Beige/Grey 300 cm
- Canopy** Color: Black/White/Grey, Material: Plastic
Ø: 11,7 cm, H: 9 cm
- Light source** Fixed LED, Max. 14W, Incl. 14W LED,
Lumen 1.000, Kelvin 2700, Life hours
20.000, RA 80, Beam angle 120°,
Dimmable



- Features**
- Modern classic
 - Slim and timeless design
 - BIM file available

Artist™ 40 by Bønnelycke mdd

- Masterbox** Qty 1
- Material** Metal/Plastic
- IP Class** IP20, Class 2
- Textile cable:** Black/Beige/Grey 300 cm
- Canopy** Color: Black/White/Grey, Material: Plastic
Ø: 11,7 cm, H: 9 cm
- Light source** Fixed LED, Max. 24W, Incl. 24W LED,
Lumen 1.600, Kelvin 2700, Life hours
20.000, RA 80, Beam angle 180°,
Dimmable



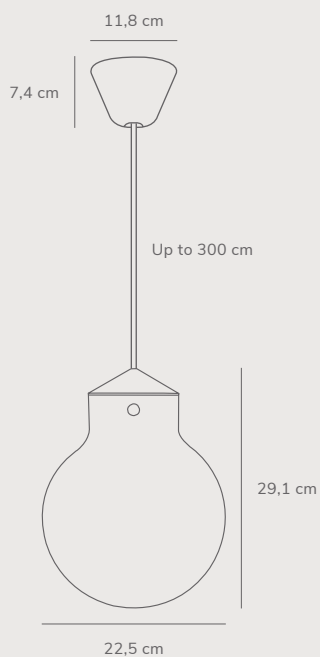
- Features**
- Modern classic
 - Slim and timeless design
 - BIM file available



Opal white
48013001

Raito™ 22 round by Bønnelycke mdd

Masterbox	Qty 2
Size	Shade Ø: 22,5 cm, Shade H: 29,1 cm
Material	Glass/Metal
IP Class	IP20, Class 2
Cable	Textile cable: White 300 cm non replaceable
Canopy	Color: White, Material: Plastic Ø: 11,8 cm, H: 7,4 cm
Light source	E27, Max. 25W, Excl. light source, Dimmable with compatible bulb and wall switch



Features

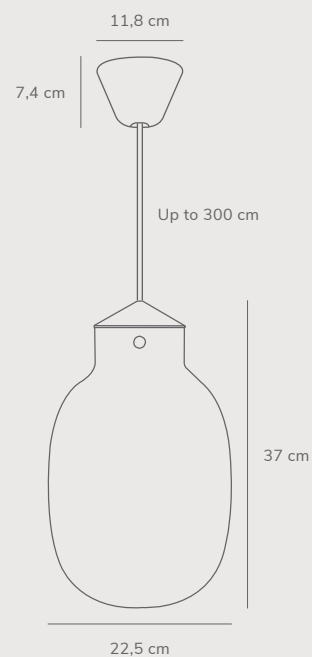
- Modern yet timeless design
- Soft and diffused light
- Nordic style
- BIM file available



Opal white
48043001

Raito™ 22 oval by Bønnelycke mdd

Masterbox	Qty 2
Size	Shade Ø: 22,5 cm, Shade H: 37 cm
Material	Glass/Metal
IP Class	IP20, Class 2
Cable	Textile cable: White 300 cm non replaceable
Canopy	Color: White, Material: Plastic Ø: 11,8 cm, H: 7,4 cm
Light source	E27, Max. 25W, Excl. light source, Dimmable with compatible bulb and wall switch



Features

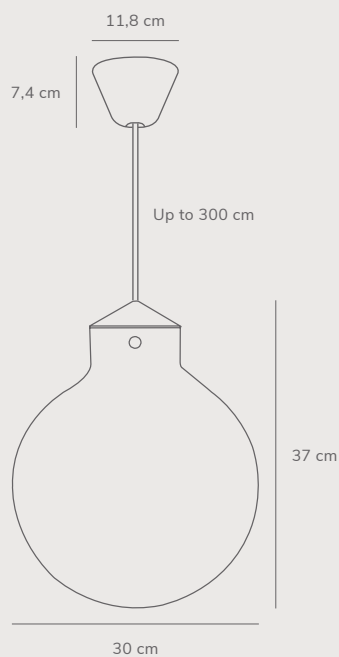
- Modern yet timeless design
- Soft and diffused light
- Nordic style
- BIM file available



Opal white
48023001

Raito™ 30 round by Bønnelycke mdd

- Masterbox** Qty 2
- Size** Shade Ø: 30 cm, Shade H: 37 cm
- Material** Glass/Metal
- IP Class** IP20, Class 2
- Cable** Textile cable:
White 300 cm non replaceable
- Canopy** Color: White, Material: Plastic
Ø: 11,8 cm, H: 7,4 cm
- Light source** E27, Max. 25W, Excl. light source,
Dimmable with compatible bulb
and wall switch



Features

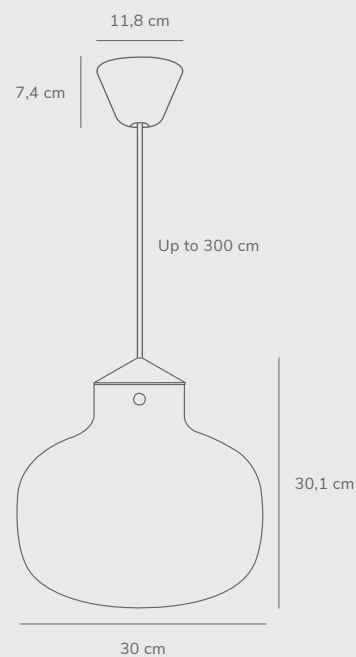
- Modern yet timeless design
- Soft and diffused light
- Nordic style
- BIM file available



Opal white
48033001

Raito™ 30 oval by Bønnelycke mdd

- Masterbox** Qty 2
- Size** Shade Ø: 30 cm, Shade H: 30,1 cm
- Material** Glass/Metal
- IP Class** IP20, Class 2
- Cable** Textile cable:
White 300 cm non replaceable
- Canopy** Color: White, Material: Plastic
Ø: 11,8 cm, H: 7,4 cm
- Light source** E27, Max. 25W, Excl. light source,
Dimmable with compatible bulb
and wall switch



Features

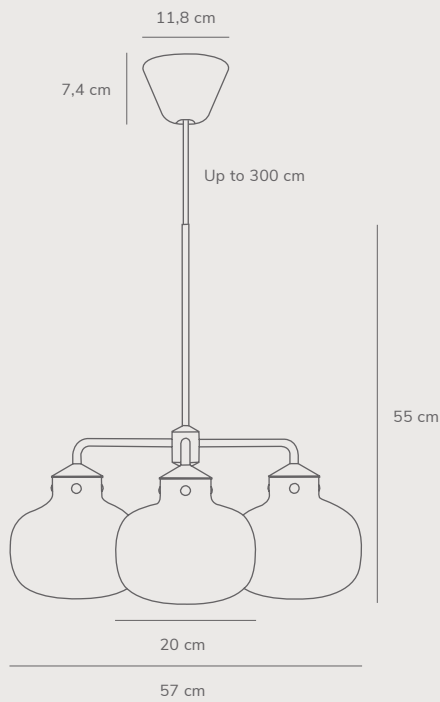
- Modern yet timeless design
- Soft and diffused light
- Nordic style
- BIM file available



Opal white
48053001

Raito™ by Bønnelycke mdd

Masterbox	Qty 1
Size	H: 55 cm, W: 57 cm, Shade Ø: 20 cm
Material	Glass/Metal
IP Class	IP20, Class 2
Cable	Textile cable: White 300 cm non replaceable
Canopy	Color: White, Material: Plastic Ø: 11,8 cm, H: 7,4 cm
Light source	E27, Max. 25W, Excl. light source, Dimmable with compatible bulb and wall switch



Features

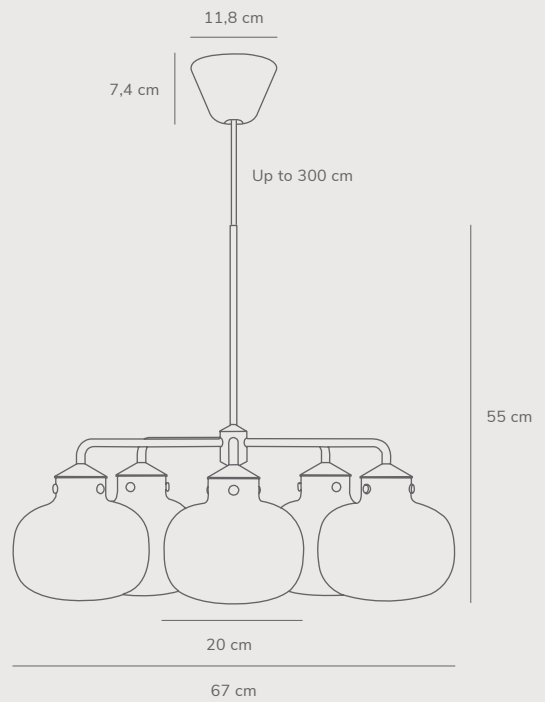
- Modern yet timeless design
- Soft and diffused light
- Nordic style
- BIM file available



Opal white
48063001

Raito™ by Bønnelycke mdd

Masterbox	Qty 1
Size	H: 55 cm, W: 67 cm, Shade Ø: 20 cm
Material	Glass/Metal
IP Class	IP20, Class 2
Cable	Textile cable: White 300 cm non replaceable
Canopy	Color: White, Material: Plastic Ø: 11,8 cm, H: 7,4 cm
Light source	E27, Max. 25W, Excl. light source, Dimmable with compatible bulb and wall switch



Features

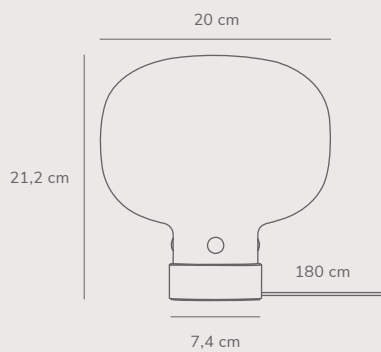
- Modern yet timeless design
- Soft and diffused light
- Nordic style
- BIM file available



Opal white
48075001

Raito™ by Bønnelycke mdd

Masterbox	Qty 2
Size	H: 21,2 cm, Shade Ø: 20 cm, Base Ø: 7,4 cm
Material	Glass/Metal
IP Class	IP20, Class 2
Cable	Textile cable: White 180 cm non replaceable
Light source	E27, Max. 25W, Excl. light source,



Features

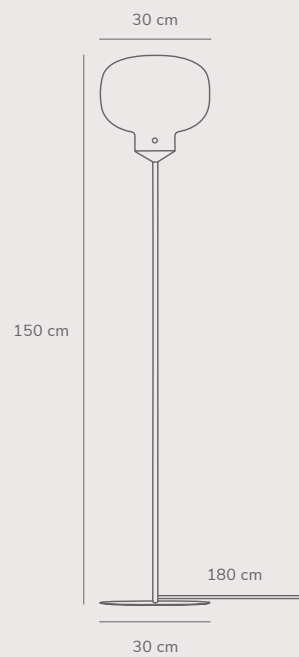
Modern yet timeless design
Soft and diffused light
Nordic style
BIM file available



Opal white
48084001

Raito™ by Bønnelycke mdd

Masterbox	Qty 1
Size	H: 150 cm, Shade Ø: 30 cm, Base Ø: 30 cm, Tilt angle: 6°
Material	Glass/Metal
IP Class	IP20, Class 2
Cable	Textile cable: White 300 cm non replaceable Switch on fixture
Light source	E27, Max. 15W, Excl. light source,



Features

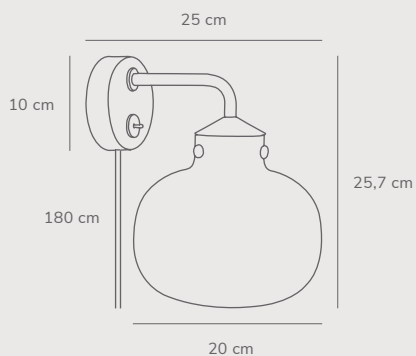
Modern yet timeless design
Soft and diffused light
Nordic style
BIM file available



Opal white
48091001

Raito™ by Bønnelycke mdd

Masterbox	Qty 2
Size	H: 25,7 cm, D: 25 cm, Shade Ø: 20 cm, Base mount: Ø10 cm
Material	Glass/Metal
IP Class	IP20, Class 2
Cable	Textile cable: White 250 cm non replaceable
Light source	E27, Max. 15W, Excl. light source,



Features

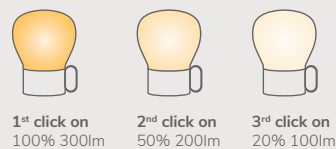
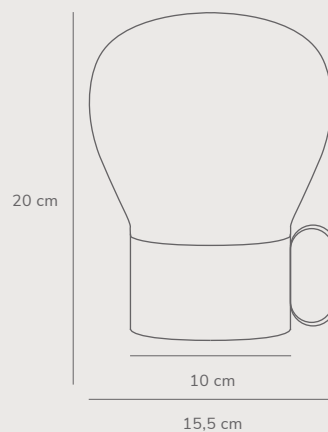
Modern yet timeless design
Soft and diffused light
Nordic style
BIM file available



Grey
48275003

Nuru by Bønnelycke mdd

Masterbox	Qty 3
Size	H: 20 cm, Shade Ø: 15,5 cm, Base Ø: 10 cm
Material	Plastic/Metal
IP Class	IP44, Class 3
Light source	Fixed LED, Incl. 4,8W LED, Incl. 3-Step Moodmaker™, Lumen 300, Kelvin 2700, Life hours 30.000, RA 80, Beam angle 130°, Not dimmable



Features

Modern design
Portable table lamp
Can be used outdoor



Rosegold
48275058



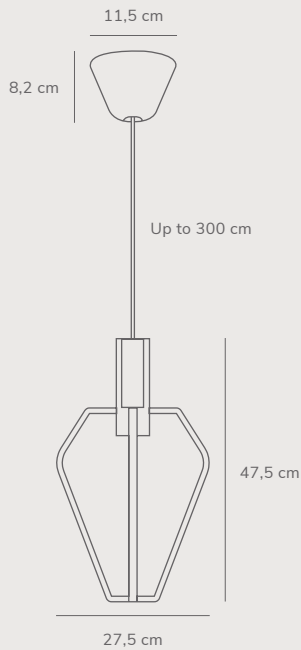
Black
83213003



Black
75145003

Spider by Bønnelycke mdd

- Masterbox** Qty 2
- Size** H: 47,5 cm, Shade Ø: 27,5 cm
- Material** Metal
- IP Class** IP20, Class 2
- Cable** Textile cable: Black 300 cm non replaceable
- Canopy** Color: Black, Material: Plastic
Ø: 11,5 cm, H: 8,2 cm
- Light source** GU10, Max. 8W, Incl. 4X1.5W LED,
Lumen 4X480, Kelvin 2700,
Life hours 20.000, RA 80, Dimmable

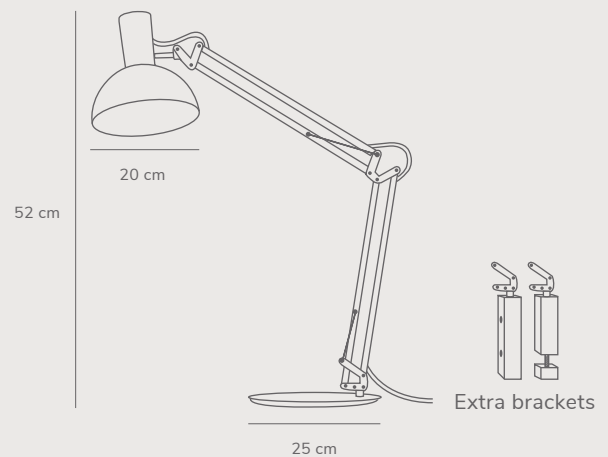


Features

Sculptural and futuristic design
Beautiful alone or in clusters

Arki by Bønnelycke mdd

- Masterbox** Qty 2
- Size** H: 52 cm, Shade Ø: 20 cm, Shade H: 20 cm,
Base Ø: 25 cm
- Material** Metal
- IP Class** IP20, Class 2
- Cable** Cable: Black 180 cm non replaceable
Switch on fixture
- Light source** E27, Max. 60W, Excl. light source,



Features

Contemporary yet timeless design
Adjustable lamp head and arm
Incl. table base, wall bracket and clamp



Black
48103003

White
48103001



Black
48113003

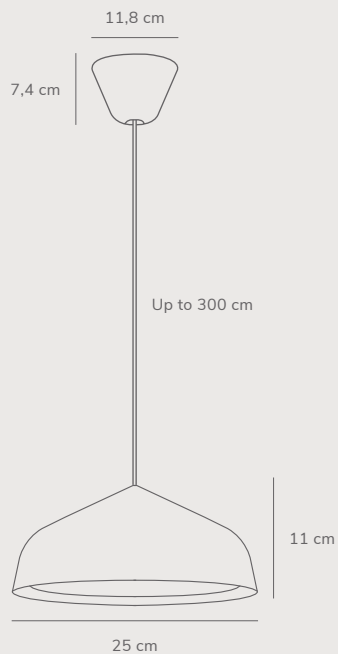
White
48113001

Fura 25 by Bønnelycke mdd

Masterbox	Qty 2
Size	Shade Ø: 25 cm, Shade H: 11 cm
Material	Metal/Plastic
IP Class	IP20, Class 2
Cable	Textile cable: White/Black 300 cm non replaceable
Canopy	Color: White/Black, Material: Plastic Ø: 11,4 cm, H: 8,2 cm
Light source	Fixed LED, Incl. 12W LED, Lumen 1.200, Kelvin 2200/2700, Life hours 30.000, RA 80, Beam angle 120°, Dimmable

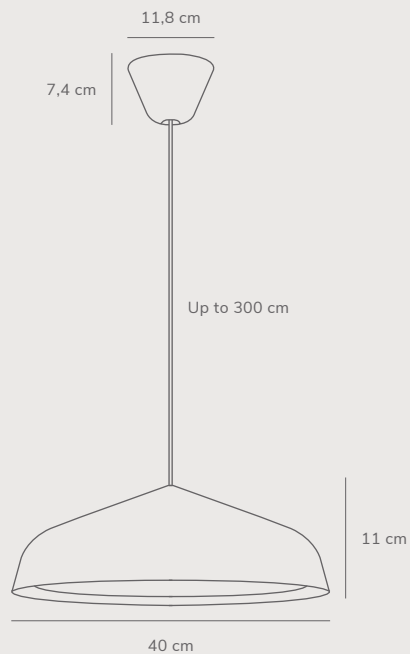
Fura 40 by Bønnelycke mdd

Masterbox	Qty 1
Size	Shade Ø: 40 cm, Shade H: 11 cm
Material	Metal/Plastic
IP Class	IP20, Class 2
Cable	Textile cable: White/Black 300 cm non replaceable
Canopy	Color: White/Black, Material: Plastic Ø: 11,4 cm, H: 8,2 cm
Light source	Fixed LED, Incl. 20W LED, Lumen 1.700, Kelvin 2200/2700, Life hours 30.000, RA 80, Beam angle 120°, Dimmable



Features

Minimalistic design,
Dim to warm 2700K to 2200K
LED panel is beautifully hidden by diffuser



Features

Minimalistic design,
Dim to warm 2700K to 2200K
LED panel is beautifully hidden by diffuser



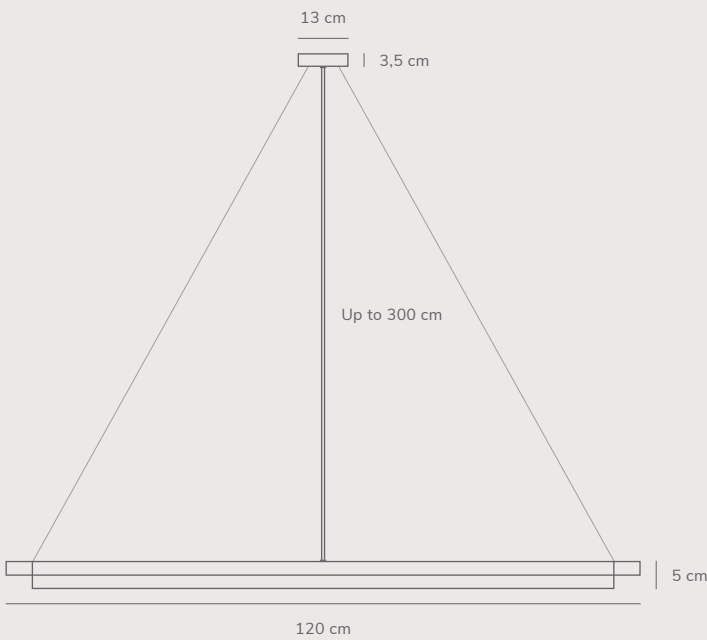
Black
46013003



Black
46034003

SpaceB by Bønnelycke mdd

Masterbox	Qty 3
Size	H: 5 cm, W: 8,5 cm, L: 120 cm
Material	Aluminium/Plastic
IP Class	IP20, Class 2
Cable	Textile cable: White/Black 300 cm non replaceable Switch on fixture
Canopy	Color: White/Black, Material: Metal Ø: 13 cm, H: 3,5 cm
Light source	Fixed LED, Incl. 22W LED, Incl. Multifunction, Lumen 950, Kelvin 2200-3000, Life hours 20.000, RA 80, Beam angle 120°, Dimmable

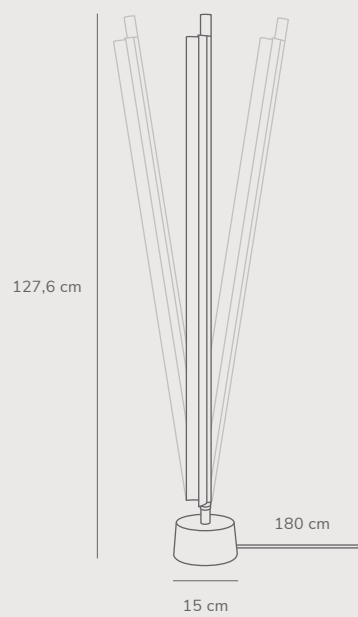


Features

- Innovative, minimalistic and award winning design
- Adjustable wires for mounting
- 3-step touch color change 2200K/2600K/3000K
- BIM file available

SpaceB by Bønnelycke mdd

Masterbox	Qty 2
Size	H: 127,6 cm, Base Ø: 15 cm, Tilt angle: 6°
Material	Aluminium/Plastic
IP Class	IP20, Class 2
Cable	Textile cable: White/Black 250 cm non replaceable Switch on fixture
Light source	Fixed LED, Incl. 22W LED, Incl. Multifunction, Lumen 950, Kelvin 2200-3000, Life hours 20.000, RA 80, Beam angle 120°, Dimmable



Features

- Innovative, minimalistic and award winning design
- Tiltabel to all sides
- 3-step touch color change 2200K/2600K/3000K
- BIM file available



Black
2020563003

White/Telegrey
2020563001

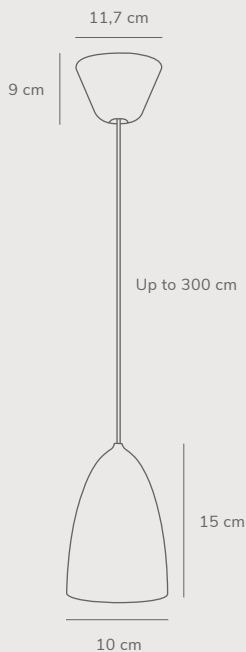


Black
2020583003

White/Telegrey
2020583001

Nexus™ 2.0 by Bønnelycke mdd

Masterbox	Qty 3
Size	H: 15 cm, W: 10 cm, Shade Ø: 10 cm
Material	Metal/Plastic
IP Class	IP20, Class 2
Cable	Textile cable: White/Black 300 cm non replaceable
Canopy	Color: White/Black, Material: Plastic Ø: 11,7 cm, H: 9 cm
Light source	GU10, Max. 6W, Excl. light source, Dimmable with compatible bulb and wall switch

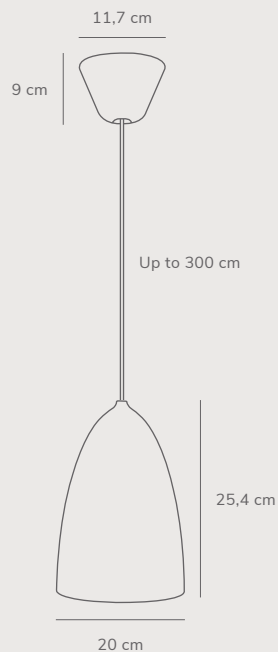


Features

- Minimalistic and timeless design
- Diffuser covers light source and softens light
- Satin matt finish
- BIM file available

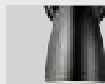
Nexus™ 2.0 by Bønnelycke mdd

Masterbox	Qty 2
Size	H: 25,4 cm, W: 20 cm, Shade Ø: 20 cm
Material	Metal/Plastic
IP Class	IP20, Class 2
Cable	Textile cable: White/Black 300 cm non replaceable
Canopy	Color: White/Black, Material: Plastic Ø: 11,7 cm, H: 9 cm
Light source	E27, Max. 40W, Excl. light source, Dimmable with compatible bulb and wall switch



Features

- Minimalistic and timeless design
- Diffuser covers light source and softens light
- Satin matt finish
- BIM file available

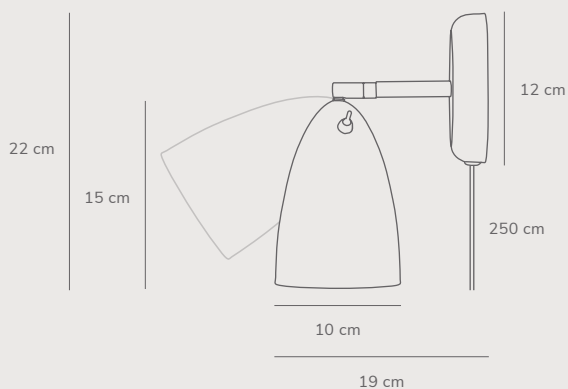


Black
2020601003

White/Telegrey
2020601001

Nexus™ 2.0 by Bønnelycke mdd

Masterbox	Qty 3
Size	D: 19 cm, Shade Ø: 10 cm, Pipe Ø: 12,7 cm, Tilt angle: 90°
Material	Metal/Plastic
IP Class	IP20, Class 2
Cable	Textile cable: White/Black 250 cm replaceable
Light source	GU10, Max. 6W, Excl. light source,



Features

- Minimalistic and timeless design
- Beautiful brass swivel tilt joint
- Satin matt finish
- BIM file available

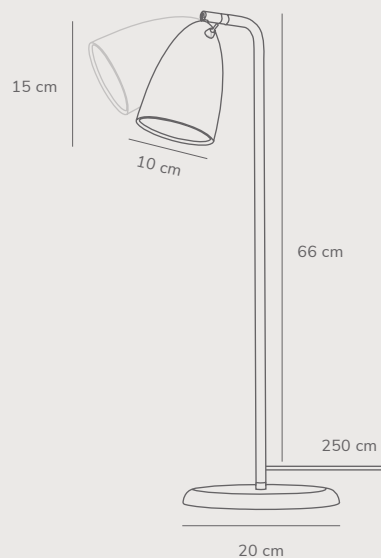


Black
2020625003

White/Telegrey
2020625001

Nexus™ 2.0 by Bønnelycke mdd

Masterbox	Qty 2
Size	H: 66 cm, Shade Ø: 10 cm, Base Ø: 20 cm, Tilt angle: 90°
Material	Metal/Plastic
IP Class	IP20, Class 2
Cable	Textile cable: White/Black 250 cm non replaceable
Light source	GU10, Max. 6W, Excl. light source,



Features

- Minimalistic and timeless design
- Beautiful brass swivel tilt joint
- Satin matt finish
- BIM file available



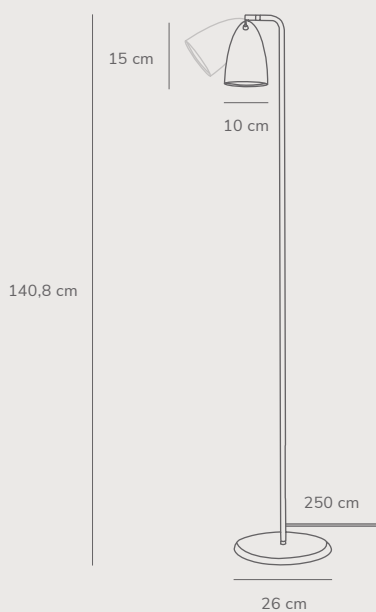
White/Telegrey
2020644001



Black
2020644003

Nexus™ 2.0 by Bønnelycke mdd

Masterbox	Qty 2
Size	H: 140,8 cm, Shade Ø: 10 cm, Pipe Ø: 12,7 cm, Base Ø: 26 cm, Tilt angle: 90°
Material	Metal/Plastic
IP Class	IP20, Class 2
Cable	Textile cable: White/Black 250 cm non replaceable
Light source	GU10, Max. 6W, Excl. light source,



Features

- Minimalistic and timeless design
- Beautiful brass swivel tilt joint
- Satin matt finish
- BIM file available



Black
45053003

Belly 29 by Bønnelycke mdd

Masterbox	Qty 2
Size	H: 28 cm, Shade Ø: 29 cm
Material	Metal
IP Class	IP20, Class 2
Cable	Textile cable: Black 300 cm non replaceable
Canopy	Color: Black, Material: Plastic Ø: 12 cm, H: 7,3 cm
Light source	E27, Max. 60W, Excl. light source, Dimmable with compatible bulb and wall switch



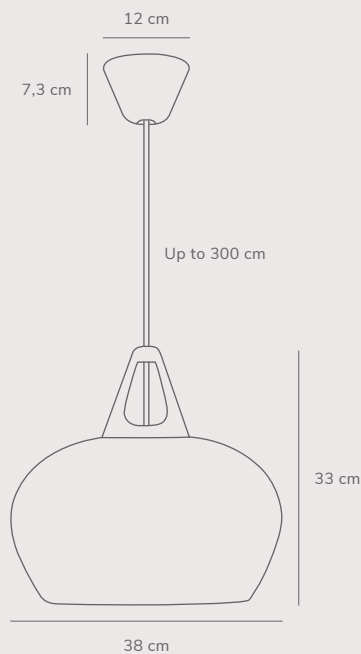
Features

- Contemporary design
- Directs light both up and down
- Handcrafted shade
- BIM file available



Belly 38 by Bønnelycke mdd

Masterbox	Qty 1
Size	H: 33 cm, Shade Ø: 38 cm
Material	Metal
IP Class	IP20, Class 2
Cable	Textile cable: Black 300 cm non replaceable
Canopy	Color: Black, Material: Plastic Ø: 12 cm, H: 7,3 cm
Light source	E27, Max. 60W, Excl. light source, Dimmable with compatible bulb and wall switch



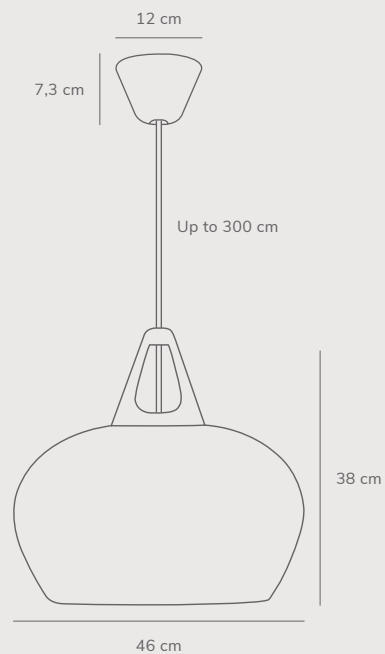
Features

- Contemporary design
- Directs light both up and down
- Handcrafted shade
- BIM file available



Belly 46 by Bønnelycke mdd

Masterbox	Qty 1
Size	H: 38 cm, Shade Ø: 46 cm
Material	Metal
IP Class	IP20, Class 2
Cable	Textile cable: Black 300 cm non replaceable
Canopy	Color: Black, Material: Plastic Ø: 12 cm, H: 7,3 cm
Light source	E27, Max. 60W, Excl. light source, Dimmable with compatible bulb and wall switch



Features

- Contemporary design
- Directs light both up and down
- Handcrafted shade
- BIM file available



White
2020666001



Black
2020666003



Grey
61681001



White
61681003



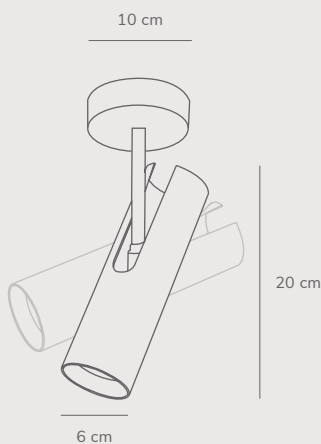
Black
61681011

MIB™ 6 by Bønnelycke mdd

Masterbox	Qty 3
Size	W: 10 cm, Shade Ø: 6 cm, Shade H: 20 cm, Base mount: Ø10 cm Tilt angle: 90°
Material	Metal
IP Class	IP20, Class 2
Light source	GU10, Max. 8W, Excl. light source,

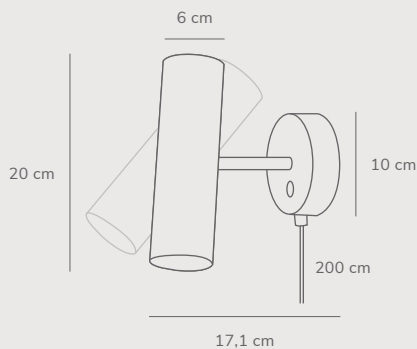
MIB™ 6 by Bønnelycke mdd

Masterbox	Qty 3
Size	H: 20 cm, W: 10 cm, D: 17,1 cm, Shade Ø: 6 cm, Base mount: Ø10 cm Tilt angle: 90°
Material	Metal
IP Class	IP20, Class 2
Cable	White/Black/Grey 200 cm replaceable Switch on wall base
Light source	GU10, Max. 8W,



Features

- Contemporary, yet timeless design
- Slim and elegant
- Tiltable head - possible to adjust light direction
- BIM file available



Features

- Contemporary, yet timeless design
- Slim and elegant
- Tiltable head - possible to adjust light direction
- BIM file available



White
71655011

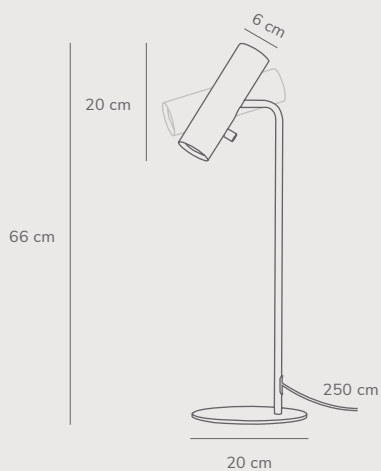


Black
71655003

Grey
71655001

MIB™ 6 by Bønnelycke mdd

Masterbox	Qty 3
Size	H: 66 cm, Shade Ø: 6 cm, Pipe Ø: 1,27 cm, Base Ø: 20 cm, Tilt angle: 90°
Material	Metal
IP Class	IP20, Class 2
Cable	White/Black/Grey 250 cm non replaceable Switch on fixture
Light source	GU10, Max. 8W, Excl. light source,



Features

- Contemporary, yet timeless design
- Slim and elegant
- Tiltable head - possible to adjust light direction
- BIM file available



White
71704003

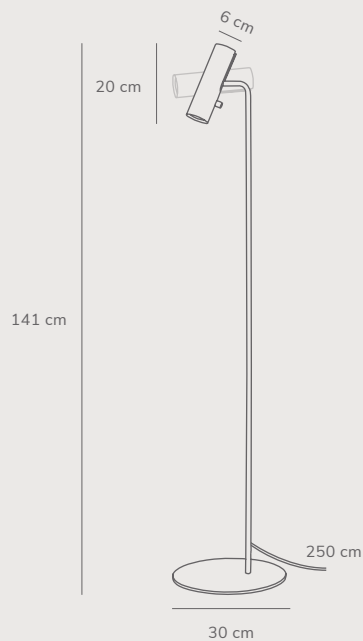


Black
71704011

Grey
71704001

MIB™ 6 by Bønnelycke mdd

Masterbox	Qty 2
Size	H: 141 cm, Shade Ø: 6 cm, Shade H: 20 cm, Pipe Ø: 1,27 cm, Base Ø: 30 cm, Tilt angle: 90°
Material	Metal
IP Class	IP20, Class 2
Cable	White/Black/Grey 250 cm non replaceable Switch on fixture
Light source	GU10, Max. 8W, Excl. light source,



Features

- Contemporary, yet timeless design
- Slim and elegant
- Tiltable head - possible to adjust light direction
- BIM file available



White
71679903

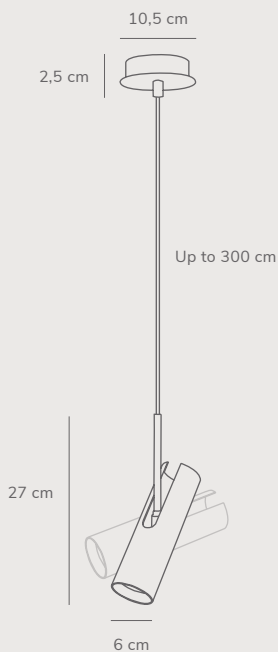


Black
71679903

Grey
71679901

MIB™ 6 by Bønnelycke mdd

Masterbox	Qty 3
Size	H: 27 cm, Shade Ø: 6 cm, Shade H: 20 cm, Pipe Ø: 1 cm
Material	Metal
IP Class	IP20, Class 2
Cable	Textile cable: White/Black/Grey 300 cm non replaceable
Canopy	Color: White/Black/Grey, Material: Metal Ø: 10,5 cm, H: 2,5 cm
Light source	GU10, Max. 8W, Excl. light source, Dimmable with compatible bulb and wall switch



Features

- Contemporary, yet timeless design
- Slim and elegant
- Tiltable head - possible to adjust light direction
- BIM file available



Black
78271003

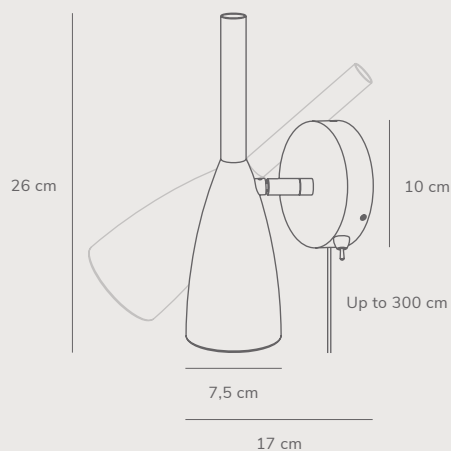


Grey
78271011

White
78271001

Pure 10 by Bønnelycke mdd

Masterbox	Qty 3
Size	H: 26 cm, D: 17 cm, Shade Ø: 7,5 cm, Base mount: Ø10 cm
Material	Metal/Wood
IP Class	IP20, Class 2
Cable	White/Black/Grey 180 cm replaceable Switch on fixture
Light source	GU10, Max. 8W, Excl. light source,



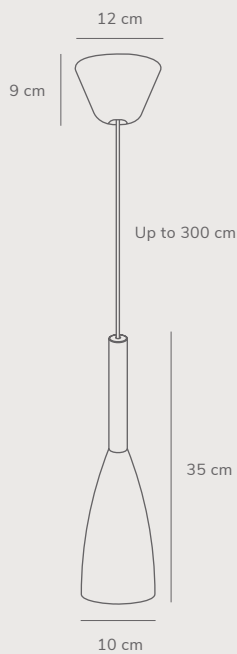
Features

- Minimalistic design
- Nordic style
- FSC wood top in oiled walnut tree



Pure 10 by Bønnelycke mdd

Masterbox	Qty 3
Size	H: 35 cm, Shade Ø: 10 cm
Material	Metal/Wood
IP Class	IP20, Class 2
Cable	Textile cable: White/Black/Grey 300 cm non replaceable
Canopy	Color: White/Black/Grey, Material: Plastic Ø: 12 cm, H: 9 cm
Light source	E27, Max. 40W, Excl. light source, Dimmable with compatible bulb and wall switch

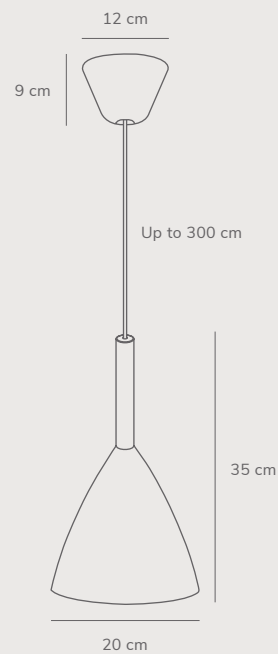


Features

Minimalistic design
Nordic style
FSC wood top in oiled walnut tree

Pure 20 by Bønnelycke mdd

Masterbox	Qty 3
Size	H: 35 cm, Shade Ø: 20 cm
Material	Metal/Wood
IP Class	IP20, Class 2
Cable	Textile cable: White/Black/Grey 300 cm non replaceable
Canopy	Color: White/Black/Grey, Material: Plastic Ø: 11,7 cm, H: 9 cm
Light source	E27, Max. 40W, Excl. light source, Dimmable with compatible bulb and wall switch



Features

Minimalistic design
Nordic style
FSC wood top in oiled walnut tree



Grey
2020556010

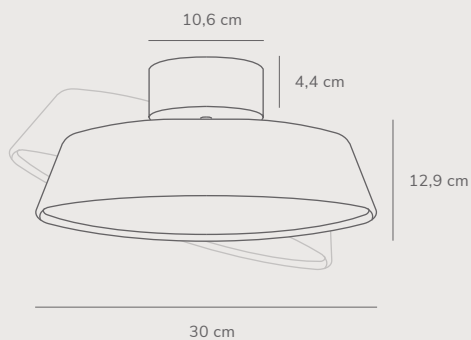


Alba Dim by Bønnelycke mdd

Masterbox	Qty 3
Size	W: 30 cm, L: 30 cm, D: 12,9 cm, Ø: 30 cm, Base mount: 10,6 cm Tilt angle: 35°
Material	Metal/Acrylic
IP Class	IP20, Class 2
Light source	Fixed LED, Incl. 12W LED, Lumen 610, Kelvin 3000, Life hours 20.000, RA 80, Beam angle 120°, Dimmable

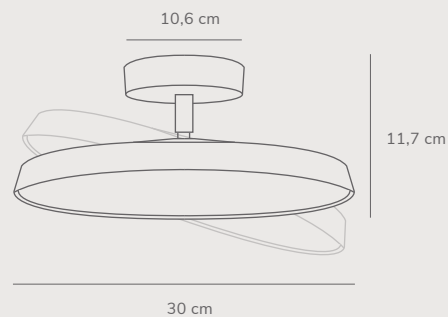
Alba Pro 30 by Bønnelycke mdd

Masterbox	Qty 3
Size	D: 11,7 cm, Shade Ø: 30 cm, Base mount: Ø10,6 cm Tilt angle: 35°
Material	Aluminium/Acrylic
IP Class	IP20, Class 2
Light source	Fixed LED, Incl. 14W LED, Lumen 1.000, Kelvin 2700, Life hours 20.000, RA 80, Beam angle 120°, Dimmable



Features

- Tilt joint - possible to direct light
- Soft and diffused light
- Dimmable



Features

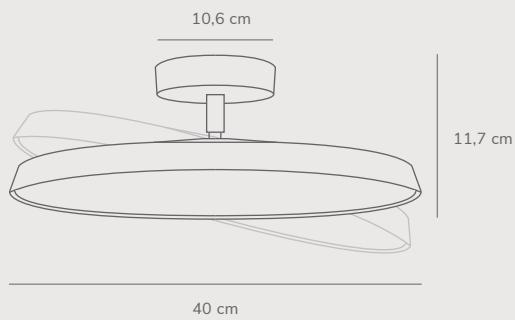
- Tilt joint - possible to direct light
- Soft and diffused light
- BIM file available



White
77186001

Alba Pro 40 by Bønnelycke mdd

Masterbox	Qty 3
Size	D: 11,7 cm, Shade Ø: 38,5 cm, Base mount: Ø10,6 cm Tilt angle: 35°
Material	Aluminium/Acrylic
IP Class	IP20, Class 2
Light source	Fixed LED, Incl. 24W LED, Lumen 1.600, Kelvin 2700, Life hours 20.000, RA 80, Beam angle 120°, Dimmable



Features

- Tilt joint - possible to direct light
- Soft and diffused light
- BIM file available



White
45306001

La Luna 41 by Bønnelycke mdd

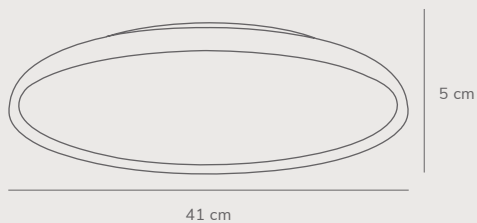
Masterbox	Qty 2
Size	D: 5 cm, Shade Ø: 41 cm
Material	Metal/Plastic
IP Class	IP20, Class 2
Light source	Fixed LED, Incl. 24W LED, Lumen 1.460, Kelvin 2700, Life hours 20.000, RA 80, Beam angle 120°, Dimmable



White
45316001

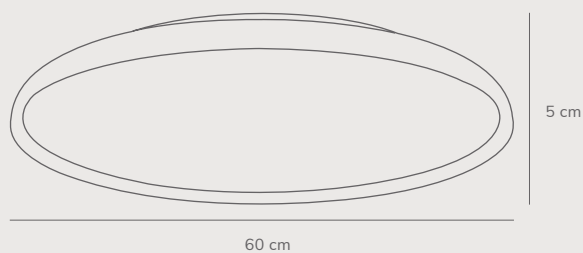
La Luna 60 by Bønnelycke mdd

Masterbox	Qty 1
Size	D: 5,3 cm, Shade Ø: 60 cm
Material	Metal/Plastic
IP Class	IP20, Class 2
Light source	Fixed LED, Incl. 55W LED, Lumen 3.500, Kelvin 2700, Life hours 20.000, RA 80, Beam angle 120°, Dimmable



Features

Contemporary, yet timeless design
Soft and diffused light
BIM file available



Features

Contemporary, yet timeless design
Soft and diffused light
BIM file available



Black
84243003

Aver 30 by Carlo Volf

Masterbox	Qty 2
Size	H: 35 cm, Shade Ø: 30 cm
Material	Metal
IP Class	IP20, Class 2
Cable	Textile cable: Black 300 cm non replaceable
Canopy	Color: Black, Material: Plastic Ø: 11,8 cm, H: 7,35 cm
Light source	E27, Max. 60W, Excl. light source, Dimmable with compatible bulb and wall switch



Black
84253003

Aver 40 by Carlo Volf

Masterbox	Qty 1
Size	H: 45,5 cm, Shade Ø: 40 cm
Material	Metal
IP Class	IP20, Class 2
Cable	Textile cable: Black 300 cm non replaceable
Canopy	Color: Black, Material: Plastic Ø: 11,8 cm, H: 7,35 cm
Light source	E27, Max. 60W, Excl. light source, Dimmable with compatible bulb and wall switch



Features

Provides a good light
Sculptural and fills out the space/room
Visible bulb



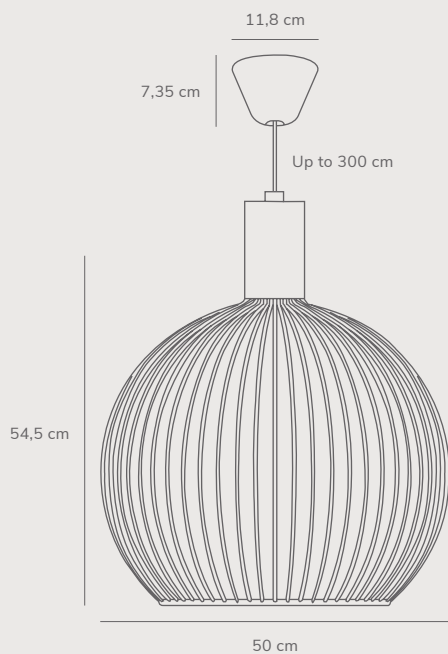
Features

Provides a good light
Sculptural and fills out the space/room
Visible bulb



Aver 50 by Carlo Volf

Masterbox	Qty 1
Size	H: 54,5 cm, Shade Ø: 50 cm
Material	Metal
IP Class	IP20, Class 2
Cable	Textile cable: Black 300 cm non replaceable
Canopy	Color: Black, Material: Plastic Ø: 11,8 cm, H: 7,35 cm
Light source	E27, Max. 60W, Excl. light source, Dimmable with compatible bulb and wall switch



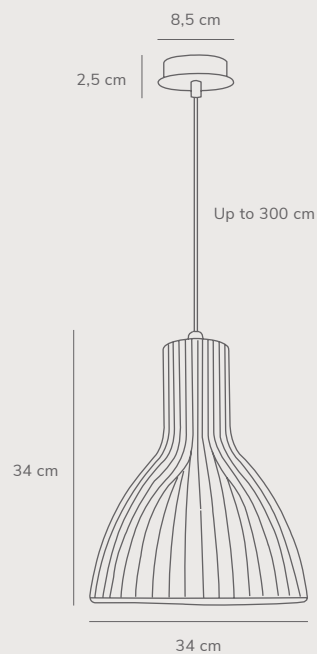
Features

Provides a good light
Sculptural and fills out the space/room
Visible bulb



Emiton 26 by Carlo Volf

Masterbox	Qty 3
Size	Shade Ø: 26 cm, Shade H: 34 cm
Material	Metal
IP Class	IP20, Class 2
Cable	Cable: Clear 300 cm non replaceable
Canopy	Color: Black, Material: Metal Ø: 8,5 cm, H: 2,5 cm
Light source	E27, Max. 75W, Excl. light source, Dimmable with compatible bulb and wall switch



Features

Provides a good light
Sculptural and fills out the space/room
Visible bulb

Design. For. The People.

Design For The People (est. 2015) has always been a love child for Nordlux. Born out of passion for great Danish design, materials that are made to last and making light an extraordinary experience.

We never compromise, and every detail and action is based on a design driven devotedness to manifest the products and the brand as affordable Danish design that contributes to great value in our lives and our surroundings.

To manifest this dedication and devotedness, a redesign of the Design For The People logo has been made. We are dedicated to greatness, and this is followed through in everything we do and communicate.

The first element in the new logo is the brandmark, which is the cornerstone of the logo. This is also why you can experience the abbreviation of Design For The People in written: dftp.

The second element in the logo is the strapline, which is the supportive part of the logo that unites and emphasizes the brand name. Its rounded shape gives an organic and soft look, giving it a more contemporary expression and tying the knot to the brand's DNA. The strapline also elaborates the abbreviation in the brandmark: The full brand name; Design For The People.

DESIGN FOR THE PEOPLE

dftp

DESIGN FOR THE PEOPLE

dftp

Our passion is design and Danish design is a strong cornerstone in our DNA, and is reflected in everything we do and communicate. We never compromise, and every detail and action is based on a design driven devotedness.

DESIGN FOR THE PEOPLE

dftp

It indicates our movement, the place that our products, but also our Brand DNA and the feeling is going to and toward. We are always moving and striving to exceed ourselves.

DESIGN FOR THE PEOPLE

dftp

We are for the people, and embrace all kinship of people, where we are united by the passion and love for great Danish designs. We make products, which are to be loved and used by real people in real lifes.

BIM & projects


You can download Revit, AutoCAD & ArchiCAD files,
which are some of the most used file types

After great demand and daily requests from our customers,
we are now ready to offer you a new service.

BIM Objects is the preferred go-to database for architects,
project managers, interior designers and others around the
world when building and decorating various projects.

Now you can download 3D-files of a selection of our lamps,
enriched with product data, providing you with better
opportunities to plan and design our lamps into the
constructions. The product range will continuously
be extended.

We know that a 3D-file is not just a 3D-file. There is a wide
variety of formats and versions of BIM-files, and different
industries use different versions.

Explore all cases 



Arla Unika

In the Arla Unika stores, the Bønnelycke mdd has used the lamps Artist & MIB from the Design For The People collection. The Artist pendant are used above the counter, where it is especially important for the customers to see the product clearly and in a nice warm light.

Likewise, several low-hanging Artist pendants are mounted above the long table for sampling contribute to a good light and intimate atmosphere with the large illuminated surface.

On the shelf with delicacies, the goods are wrapped in paper and therefore, the same bright light as at the counter is not necessary. Therefore, the MIB spotlight is used to create a combination of 'hot-spots', indirect light and shadows.

The following Design For The People products are utilized in the project: Artist 25 & 40 in cobber & MIB 6 spotlight.



FSC[®] & responsibility

We design and manufacture lighting with great knowledge of, and consideration for, how light affects us humans and our wellbeing. It is an essential part of our product development. With manufacturing and product development also comes responsibility – a responsibility to protect the resources we have available, and the people we work with.

At the immediate level, this mainly concerns investing in continuous improvement, including our product development. By focusing on low prices, we commit ourselves to looking at new, simple solutions and processes that use less material, as well as long-life technology. Basically, this means that we take into account many more elements than just that a design should be nice to look at. We assess whether a design can be made more appropriate and less costly through small adjustments. For example, it makes sense for the installation of our lamps to be as simple as possible, ensuring that no additional resources are required for installation. That is why we have more than 60 dedicated engineers, each with more than 10 years of experience in lighting technology, in our development department, all constantly working with this focus.

We are at the forefront when it comes to the development of energy-saving LED technology. You no longer need to compromise between the desire for a warm, pleasant light, innovative design, and the desire to keep power consumption down. Development in this area moves quickly, and new solutions and processes are constantly emerging, making it possible to combine aesthetics with greener technology.

FSC

We focus on protecting our resources and the environment. This is one of the reasons why we have been FSC certified since 2016. FSC certification is about using trade forest products such as wood and paper from responsible sources, and ensuring clear traceability for the wood – all the way from forest to the finished product in the shop.

Responsible sources refers to local populations, animals and plant life being taken into consideration, that logging is done in an environmentally appropriate way and that the deforested areas are replanted.

The desire and motivation for FSC certification of the products which include wood is a natural continuation and development of our approach to environment and sustainability – and we will continue to demand FSC certified wood for those of our design products that include wood.

We see sustainability as a task involving everyone associated with Nordlux – from the owners, board and management to employees and suppliers.

***FSC[®] stands for Forest Stewardship Council[®] and is a recognised international non-profit labelling scheme for wood and paper.**

FSC certification ensures responsible forest management and improved living conditions for the local population in forests worldwide.

FSC-C124559



IP code

Safety and water
protection classification.

Nordlux uses the IP code system to explain how well suited products are for humid environments, such as bathroom and outdoors.

The IP code is an international standard, that classifies and rates the degree of protection against intrusion, dust, accidental contact and water.

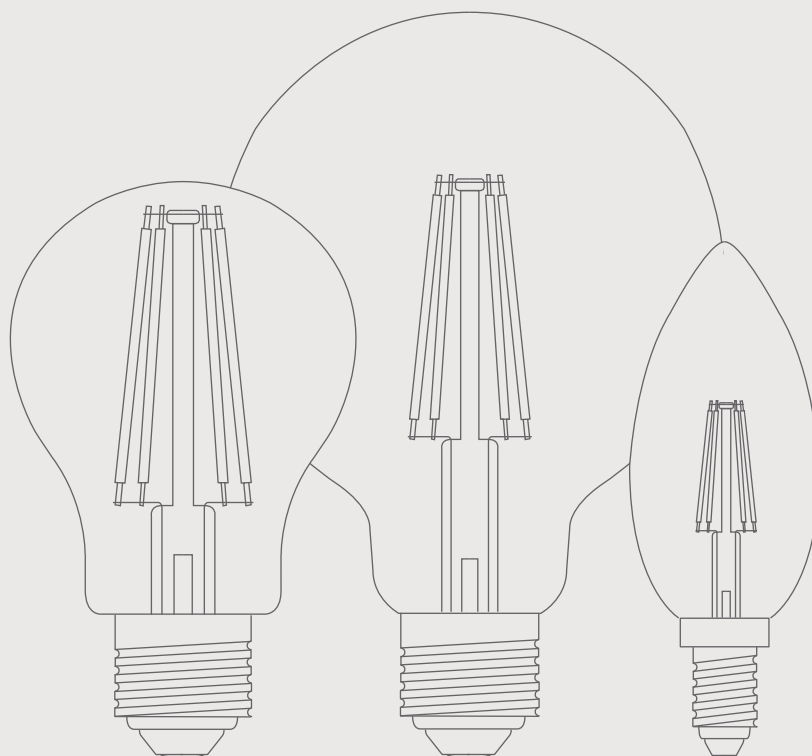
IP consists of two digits. First digit explains effectiveness against intrusion of objects. It is important to protect electronics against contact with hands and fingers and Nordlux's products adhere to all the legal standards for this, typically level 2. We even offer products that are completely protected against dust – that would be level 6. Second digit explains the degree of water protection. 0 being no protection and 5 meaning protected against water jet from all directions.

	Intrusion protection	Water protection
Degree and protection	0 Not protected	0 Not protected
Protected against	1 Solid objects larger than 50 mm	1 Vertically dripping water
Protected against	2 Solid objects larger than 12 mm	2 Vertically dripping water at an inclination of 15° degrees
Protected against	3 Solid objects larger than 2,5 mm	3 Splashes of water at an angle of up to 60° degrees
Protected against	4 Solid objects larger than 1,0 mm	4 Sprinkling of water
	5 Dust protected	5 Protected against water jets
	6 Dust-proof	6 Protected against strong waves
		7 Protected against the effects of temporary immersion in water



Nuru Table, Rosegold by Bønnelycke mdd,
IP 44 - for indoor & outdoor use

*Light source
info*



Kelvin

(K) is the colour temperature of the light source- the higher number the colder light.

3000 K = warm white

4000 K = neutral white

GB - The LED technology is constantly undergoing major development which contributes to continuous arrival of new and better LED bulbs on the market. Nordlux always strives to deliver the latest LED technology to our customers, which is why when purchasing lighting or bulbs, the new bulbs can seem different, with improved colour/ light output/design.

*For additional bulb info please go to www.nordlux.com.

DK - LED er til stadighed under en betydelig udviklingsproces, som bevirker, at der med stor hyppighed kommer nye og bedre LED pærer på markedet. Nordlux bestræber sig på altid at levere den nyeste LED teknik til vores kunder, hvorfor man ved genkøb af lamper og ved tilkøb af pærer kan opleve, at de nye pærer har anderledes og forbedret farve/lysudbytte/udformning.

*For supplerende pæreoplysninger gå venligst til www.nordlux.com

Lumen

(lm) is the measurement unit for luminous flux. Luminous flux is the total amount of light that the light source submits.

SE - LED är fortfarande under en betydande utvecklingsprocess, som bidrar till att det i snabb takt kommer nya och bättre LED lampor på marknaden. Nordlux strävar efter att leverera den senaste LED-tekniken till sina kunder, därför kan man vid återköp eller vid köp av nya lampor uppleva att de nya lamporna har en annorlunda och förbättrad färg/ljusflöde/utformning.

*För ytterligare information angående ljuskälla vänligen gå till www.nordlux.com

FR - LED est constamment en développement important, ce qui a pour effet d'amener très fréquemment de nouvelles ampoules LED améliorées sur le marché. Nordlux s'efforce de toujours fournir la dernière technologie LED à nos clients ; c'est pourquoi, lorsque vous rachetez des lampes et acquérez des ampoules, vous pouvez trouver que les nouvelles ampoules ont une couleur/une sortie de lumière/un design différents et améliorés.

*Pour plus d'informations concernant l'ampoule merci de visiter www.nordlux.com.

RA

is the colour rendering that the light source provides.

DE - LED unterliegt ständig einem bedeutenden Entwicklungsprozess, durch den mit großer Geschwindigkeit neue und bessere LED-Lampen auf den Markt kommen. Nordlux ist bestrebt, Ihren Kunden immer die neueste LED-Technik anzubieten, wodurch man beim Neukauf von Leuchten und Nachkauf von Leuchtmitteln erleben kann, dass die neuen Leuchtmittel eine andere und verbesserte Farbe, Lichtausbeute und Form haben.

*Für weitere Informationen gehen Sie bitte zu Leuchtmittel www.nordlux.com.

BV - De Led technologie ondergaat een continue verbetering die bijdraagt tot nieuwe generaties LED lampen. Nordlux streeft ernaar die nieuwste technologie aan te bieden aan zijn klanten. De verbeterde technologie zorgt voor kleine veranderingen in de verlichtingsarmaturen en lampen ten voordele van een verbeterde lichtopbrengst, verbeterde kleur-echtheid en design.

*For additional bulb info please go to www.nordlux.com.

Product index

<i>Model</i>	<i>Type</i>	<i>Material</i>	<i>Color</i>	<i>Number</i>	<i>EAN</i>	<i>Pack unit</i>	<i>Switch</i>	<i>Page</i>
Alba Dim	Ceiling	Metal, Acrylic	White	2020556001	5704924001031	3		120
Alba Dim	Ceiling	Metal, Acrylic	Grey	2020556010	5704924001048	3		120
Alba Pro 30	Ceiling	Aluminium, Acrylic	White	77176001	5701581400382	3		120
Alba Pro 40	Ceiling	Aluminium, Acrylic	White	77186001	5701581400481	3		121
Align™	Table	Metal	White	2120095001	5704924004117	3	Switch on cable	85
Align™	Table	Metal	Black	2120095003	5704924004124	3	Switch on cable	85
Align™	Table	Metal	Grey	2120095010	5704924004131	3	Switch on cable	85
Angle™	Pendant	Metal, Plastic	White/Telegrey	2020673001	5704924003028	3		87
Angle™	Pendant	Metal, Plastic	Black	2020673003	5704924003035	3		87
Angle™	Pendant	Metal, Plastic	Grey	2020673011	5704924003042	3		87
Angle™	Wall	Metal, Plastic	White/Telegrey	2120601001	5704924004162	3	Switch on fixture	86
Angle™	Wall	Metal, Plastic	Black	2120601003	5704924004155	3	Switch on fixture	86
Angle™	Wall	Metal, Plastic	Grey	2120601010	5704924004148	3	Switch on fixture	86
Arki	Table	Metal	Black	75145003	5701581279872	2	Switch on fixture	109
Artist™ 25	Pendant	Metal, Plastic	Black	83083003	5701581345485	2		103
Artist™ 25	Pendant	Metal, Plastic	Beige	83083009	5704924002458	2		103
Artist™ 25	Pendant	Metal, Plastic	Grey	83083010	5701581301085	2		103
Artist™ 25	Pendant	Metal, Plastic	Copper	83083030	5701581301184	2		103
Artist™ 40	Pendant	Metal, Plastic	Black	83093003	5701581345584	1		103
Artist™ 40	Pendant	Metal, Plastic	Beige	83093009	5704924002465	1		103
Artist™ 40	Pendant	Metal, Plastic	Grey	83093010	5701581301283	1		103
Artist™ 40	Pendant	Metal, Plastic	Copper	83093030	5701581301382	1		103
Aver 30	Pendant	Metal	Black	84243003	5701581337183	2		124
Aver 40	Pendant	Metal	Black	84253003	5701581337282	1		124
Aver 50	Pendant	Metal	Black	84263003	5701581337381	1		125
Belly 29	Pendant	Metal	Black	45053003	5701581359581	2		114
Belly 38	Pendant	Metal	Black	45063003	5701581359680	1		115
Belly 46	Pendant	Metal	Black	45073003	5701581359789	1		115
Blanche	Floor	Metal, Plastic	Brass	2120794035	5704924004230	1	Switch on fixture	93
Blanche 32	Pendant	Metal, Plastic	Brass	2120753035	5704924004216	2		92
Blanche 32	Pendant	Metal, Plastic	Brass	2120773035	5704924004223	2		93
Darci™	Wall	Metal, Plastic	Black	2120551003	5704924004247	3	Switch on fixture	88
Darci™	Table	Metal, Plastic	Black	2120565003	5704924004254	2	Switch on fixture	88
Darci™	Floor	Metal, Plastic	Black	2120584003	5704924004261	2	Switch on cable	89
Emission 26	Pendant	Metal	Black	72753003	5701581243972	3		125

<i>Model</i>	<i>Type</i>	<i>Material</i>	<i>Color</i>	<i>Number</i>	<i>EAN</i>	<i>Pack unit</i>	<i>Switch</i>	<i>Page</i>
Fura 25	Pendant	Metal, Plastic	White	48103001	5701581453883	2		110
Fura 25	Pendant	Metal, Plastic	Black	48103003	5701581453982	2		110
Fura 40	Pendant	Metal, Plastic	White	48113001	5701581454088	1		110
Fura 40	Pendant	Metal, Plastic	Black	48113003	5701581454187	1		110
Glossy™	Table	Marble, Glass	Opal white	2020505001	5704924001024	2	Switch on cable	85
La Luna 41	Ceiling	Metal, Plastic	White	45306001	5701581362482	2		122
La Luna 60	Ceiling	Metal, Plastic	White	45316001	5701581362581	1		122
MIB™ 6	Ceiling	Metal	White	2020666001	5704924002427	3		116
MIB™ 6	Ceiling	Metal	Black	2020666003	5704924002434	3		116
MIB™ 6	Wall	Metal	White	61681001	5704924000393	3	Switch on wall base	116
MIB™ 6	Wall	Metal	Black	61681003	5704924000409	3	Switch on wall base	116
MIB™ 6	Wall	Metal	Grey	61681011	5701581475885	3	Switch on wall base	116
MIB™ 6	Table	Metal	White	71655001	5701581364080	3	Switch on fixture	117
MIB™ 6	Table	Metal	Black	71655003	5701581364189	3	Switch on fixture	117
MIB™ 6	Table	Metal	Grey	71655011	5701581475687	3	Switch on fixture	117
MIB™ 6	Pendant	Metal	White	71679901	5701581332485	3		118
MIB™ 6	Pendant	Metal	Black	71679903	5701581324084	3		118
MIB™ 6	Pendant	Metal	Black	71679911	5701581475786	3		118
MIB™ 6	Floor	Metal	White	71704001	5701581364288	2	Switch on fixture	117
MIB™ 6	Floor	Metal	Black	71704003	5701581364387	2	Switch on fixture	117
MIB™ 6	Floor	Metal	Grey	71704011	5701581475984	2	Switch on fixture	117
Mimi™	Ceiling	Metal, Plastic	White	2120456001	5704924004315	3		101
Mimi™	Ceiling	Metal, Plastic	Black	2120456003	5704924004339	3		101
Mimi™	Ceiling	Metal, Plastic	White	2120476001	5704924004322	3		101
Mimi™	Ceiling	Metal, Plastic	Black	2120476003	5704924004346	3		101
Mobile	Pendant	Aluminium, Plastic	White	2120653001	5704924004186	1		86
Mobile	Pendant	Aluminium, Plastic	Black	2120653003	5704924004179	1		86
Moku 29	Pendant	Metal, Wood	White/Telegrey	48123001	5701581454286	2		102
Moku 29	Pendant	Metal, Wood	Black	48123003	5701581454385	2		102
Nexus™ 2,0	Wall	Metal, Plastic	White/Telegrey	2020601001	5704924002366	3	Switch on fixture	113
Nexus™ 2,0	Wall	Metal, Plastic	Black	2020601003	5704924002366	3	Switch on fixture	113
Nexus™ 2,0	Table	Metal, Plastic	White/Telegrey	2020625001	5704924002380	2	Switch on fixture	113
Nexus™ 2,0	Table	Metal, Plastic	Black	2020625003	5704924002397	2	Switch on fixture	113
Nexus™ 2,0	Floor	Metal, Plastic	White/Telegrey	2020644001	5704924002403	2	Switch on fixture	114
Nexus™ 2,0	Floor	Metal, Plastic	Black	2020644003	5704924002410	2	Switch on fixture	114

<i>Model</i>	<i>Type</i>	<i>Material</i>	<i>Color</i>	<i>Number</i>	<i>EAN</i>	<i>Pack unit</i>	<i>Switch</i>	<i>Page</i>
Nexus™ 2,0	Pendant	Metal, Plastic	White/Telegrey	2020563001	5704924002328	3		112
Nexus™ 2,0	Pendant	Metal, Plastic	Black	2020563003	5704924002335	3		112
Nexus™ 2,0	Pendant	Metal, Plastic	White/Telegrey	2020583001	5704924002342	2		112
Nexus™ 2,0	Pendant	Metal, Plastic	Black	2020583003	5704924002359	2		112
Nobu™	Table	Metal, Plastic	Black	2120405003	5704924000942	1	Switch on fixture	102
Nobu™	Table	Metal, Plastic	Grey	2120405010	5704924000959	1	Switch on fixture	102
Nono™ 23,5	Pendant	Metal, Plastic	White	2120503001	5704924004285	3		100
Nono™ 23,5	Pendant	Metal, Plastic	Black	2120503003	5704924004308	3		100
Nono™ 49	Pendant	Metal, Plastic	White	2120523001	5704924004278	3		100
Nono™ 49	Pendant	Metal, Plastic	Black	2120523003	5704924004292	3		100
Nori 18	Pendant	Metal, Wood	White	2120803001	5704924005770	3		90
Nori 18	Pendant	Metal, Wood	Black	2120803003	5704924006470	3		90
Nori 18	Pendant	Metal, Wood	Copper	2120803030	5704924005787	3		90
Nori 18	Pendant	Metal, Wood	Brushed steel	2120803032	5704924005794	3		90
Nori 18	Pendant	Glass, Wood	Opal White	2120843001	5704924006517	3		90
Nori 18	Pendant	Glass, Wood	Smoked	2120843047	5704924006524	3		90
Nori 27	Pendant	Metal, Wood	White	2120813001	5704924005800	3		91
Nori 27	Pendant	Metal, Wood	Black	2120813003	5704924006487	3		91
Nori 27	Pendant	Metal, Wood	Copper	2120813030	5704924005817	3		91
Nori 27	Pendant	Metal, Wood	Brushed steel	2120813032	5704924005824	3		91
Nori 27	Pendant	Glass, Wood	Opal White	2120853001	5704924006531	3		91
Nori 27	Pendant	Glass, Wood	Smoked	2120853047	5704924006548	3		91
Nori 39	Pendant	Metal, Wood	White	2120823001	5704924006494	2		92
Nori 39	Pendant	Metal, Wood	Black	2120823003	5704924006500	2		92
Nori 39	Pendant	Metal, Wood	Copper	2120823030	5704924005831	2		92
Nori 39	Pendant	Metal, Wood	Brushed steel	2120823032	5704924005848	2		92
Nuru™	Portable	Plastic, Metal	Grey	48275003	5701581456280	3	Under the base.	108
Nuru™	Portable	Plastic, Metal	Rosegold	48275058	5701581456389	3	Under the base.	108
Pure 10	Wall	Metal, Wood	White	78271001	5701581308282	3	Switch on fixture	118
Pure 10	Wall	Metal, Wood	Black	78271003	5701581308381	3	Switch on fixture	118
Pure 10	Wall	Metal, Wood	Grey	78271011	5701581308480	3	Switch on fixture	118
Pure 10	Pendant	Metal, Wood	White	78283001	5701581264489	3		119
Pure 10	Pendant	Metal, Wood	Black	78283003	5701581264588	3		119
Pure 10	Pendant	Metal, Wood	Grey	78283011	5701581264687	3		119
Pure 20	Pendant	Metal, Wood	White	43293001	5701581394780	3		119

<i>Model</i>	<i>Type</i>	<i>Material</i>	<i>Color</i>	<i>Number</i>	<i>EAN</i>	<i>Pack unit</i>	<i>Switch</i>	<i>Page</i>
Pure 20	Pendant	Metal, Wood	Black	43293003	5701581394889	3		119
Pure 20	Pendant	Metal, Wood	Grey	43293010	5701581394988	3		119
Raito™	Pendant	Glass, Metal		48053001	5701581453388	1		106
Raito™	Pendant	Glass, Metal		48063001	5701581453487	1		106
Raito™	Table	Glass, Metal		48075001	5701581453586	2		107
Raito™	Floor	Glass, Metal		48084001	5701581453685	1	Switch on fixture	107
Raito™	Wall	Glass, Metal		48091001	5701581453784	2		108
Raito™ 22 oval	Pendant	Glass, Metal		48043001	5701581453289	2		104
Raito™ 22 round	Pendant	Glass, Metal		48013001	5701581452985	2		104
Raito™ 30 oval	Pendant	Glass, Metal		48033001	5701581453180	2		105
Raito™ 30 round	Pendant	Glass, Metal		48023001	5701581453081	2		105
Shapes	Table	Glass, Metal	Brass	2120055035	5704924004094	3	Switch on cable	81
Shapes	Floor	Glass, Metal	Brass	2120074035	5704924004100	2	Switch on cable	81
Shapes 22	Pendant	Glass, Metal	Brass	2120013035	5704924004070	3		80
Shapes 27	Pendant	Glass, Metal	Brass	2120023035	5704924004087	2		80
SpaceB	Pendant	Aluminium, Plastic	Black	46013003	5701581395480	3	Switch on fixture	111
SpaceB	Floor	Aluminium, Plastic	Black	46034003	5701581395688	2	Switch on fixture	111
SpaceB	Pendant	Aluminium, Plastic	White	46013001	5701581395381	3	Switch on fixture	111
SpaceB	Floor	Aluminium, Plastic	White	46034001	5701581395589	2	Switch on fixture	111
Spider	Pendant	Metal	Black	83213003	5701581303287	2		109
Stay™	Pendant	Aluminium, Metal	Black	2120703003	5704924004193	3		82
Stay™	Pendant	Aluminium, Metal	Grey	2120703010	5704924004209	3		82
Stay™	Wall	Aluminium, Plastic		48171003	5701581455184	2	Switch on fixture	84
Stay™	Wall	Aluminium, Plastic		48171010	5701581455085	2	Switch on fixture	84
Stay™	Table	Aluminium, Plastic		48185003	5701581455382	2	Switch on fixture	84
Stay™	Table	Aluminium, Plastic		48185010	5701581455283	2	Switch on fixture	84
Stay™ Floor	Floor	Metal, Aluminium	Black	2020464003	5704924001000	1	Switch on fixture	83
Stay™ Floor	Floor	Metal, Aluminium	Grey	2020464010	5704924001017	1	Switch on fixture	83
Stay™ Long Table	Table	Metal, Aluminium	Black	2020445003	5704924000966	2	Switch on fixture	83
Stay™ Long Table	Table	Metal, Aluminium	Grey	2020445010	5704924000973	2	Switch on fixture	83
Stay™ Long Wall	Wall	Metal, Aluminium	Black	2020455003	5704924000980	2	Switch on fixture	82
Stay™ Long Wall	Wall	Metal	Grey	2020455010	5704924000997	2	Switch on fixture	82
Strap™	Table	Metal, Glass	Nickel	2020025001	5704924000386	3	Switch on cable	94
Strap™	Table	Metal, Leather	White	46205001	5701581397088	3	Switch on cable	95
Strap™	Table	Metal, Leather	Black	46205003	5701581397187	3	Switch on cable	95

<i>Model</i>	<i>Type</i>	<i>Material</i>	<i>Color</i>	<i>Number</i>	<i>EAN</i>	<i>Pack unit</i>	<i>Switch</i>	<i>Page</i>
Strap™	Floor	Metal, Leather	White	46234001	5701581397286	2	Switch on fixture	95
Strap™	Floor	Metal, Leather	Black	46234003	5701581397385	2	Switch on fixture	95
Strap™ 15	Wall	Glass, Leather	White	46241001	5701581397484	3	Switch on fixture	96
Strap™ 15	Wall	Glass, Leather	Black	46241003	5701581397583	3	Switch on fixture	96
Strap™ 15	Wall	Metal, Leather	White	84291001	5701581364684	3	Switch on fixture	96
Strap™ 15	Wall	Metal, Leather	Black	84291003	5701581364783	3	Switch on fixture	96
Strap™ 16	Pendant	Glass	Nickel	2020013001	5704924000379	3		97
Strap™ 16	Pendant	Metal, Leather	White	84303001	5701581364882	3		97
Strap™ 16	Pendant	Metal, Leather	Black	84303003	5701581364981	3		97
Strap™ 27	Pendant	Metal, Leather	White	84333001	5701581337787	3		97
Strap™ 27	Pendant	Metal, Leather	Black	84333003	5701581337886	3		97
Strap™ 27	Pendant	Metal, Leather	Beige	84333009	5701581485389	3		97
Strap™ 27	Pendant	Metal, Leather	Opal glass	84313001	5701581337688	3		97
Strap™ 36	Pendant	Metal, Leather	White	84343001	5701581338180	2		98
Strap™ 36	Pendant	Metal, Leather	Black	84343003	5701581338289	2		98
Strap™ 36	Pendant	Metal, Leather	Beige	84343009	5701581485488	2		98
Strap™ 48	Pendant	Metal, Leather	White	84353001	5701581338586	1		98
Strap™ 48	Pendant	Metal, Leather	Black	84353003	5701581338685	1		98
Strap™ 48	Pendant	Metal, Leather	Beige	84353009	5701581485587	1		98
Strap™ 68	Pendant	Metal, Leather	Black	84363003	5701581400689	1		99
Strap™ To-Go	Portable	Plastic, Bamboo	White/Black	46195001	5701581452480	3	Switch on the base	94

Der tages forbehold for ændringer m.h.t. tekniske specifikationer, design og collistørrelser.

Vi förbehåller oss för ändring med hänsyn till tekniske specifikationer, design och collistorlek.

We reserve the right to changes as to technical specifications, design and number of packages.

Wir nehmen Vorbehalt für Änderungen bezgl. technischer Spezifikationen, Design und Verpackungseinheiten.

Nous nous réservons le droit de modifier toute documentation technique, design et colisage.

We behouden ons het recht om technische specificaties, ontwerp en verpakingsaantal te wijzigen zonder voorafgaande kennisgeving.

Showroom & Headquarters

Østre Havnegade 34
DK 9000 Aalborg
T + 45 98 18 16 11
nordlux@nordlux.com
nordlux.com

Benelux

T +32 (0)15 25 76 40
info@nordlux.com

France

T +33 320 479 346
france@nordlux.com

Germany

T +49 (0) 21 52 89 87 37
F +49 (0) 21 52 14 85 54
germany@nordlux.com

Norway

T +47 51 88 63 18
norway@nordlux.com

Sweden

T +46 (0) 20 14 00 054
sweden@nordlux.com

UK & Eire

T +44 (0) 12 00 42 27 77
salesuk@nordlux.com



dftpglobal.com