

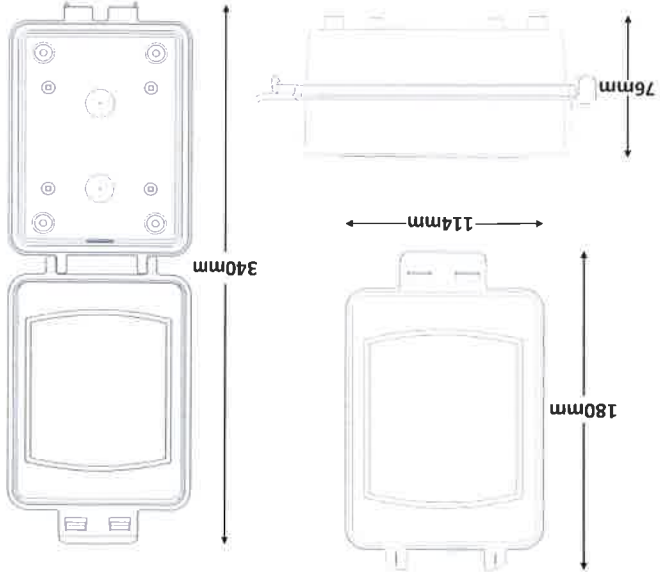
Close the lid and press firmly on the plastic latch until you hear the "click".



The lid is easily removed for safety reasons. Replace it in case it is removed from the base.



Dimensions



Warranty

Olympia Electronics guarantees the quality, condition and operation of the goods. The period of warranty is specified in the official catalogue of Olympia Electronics and also in the technical leaflet, which accompanies each product. This warranty ceases to exist if the buyer does not follow the technical instructions included in official documents given by Olympia Electronics or if the buyer modifies the goods provided or has any repairs or re-setting done by a third party, unless Olympia Electronics has fully agreed to them in writing. Products that have been damaged can be returned to the premises of our company for repair or replacement, as long as the warranty period is valid. Olympia Electronics reserves the right to repair or to replace the returned goods and to or not charge the buyer depending on the reason of defection. Olympia Electronics reserves the right to charge or not the buyer the transportation cost.



for a safer world

72nd km. O.N.R. Thessaloniki-Katerini
P.C. 60300 P.O. Box 06 Eginio Pierias Greece
www.olympia-electronics.com
info@olympia-electronics.gr

WATERPROOF CASE FOR FIRE DETECTION/EXTINGUISHING MANUAL CALL POINT

BOX-530



IP65



Thank you for your trust in our products
Olympia Electronics - European manufacturer

European
manufacturers



olympia
electronics

for a safer world

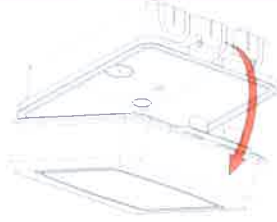
Package Contents

1	BOX-53X
1	Mounting Accessories
1	Manual
2	Adhesive films

General

The BOX-53X series are sealing boxes, which are used to protect call buttons (fire detection, extinguishing, etc.) from moisture, dust and water. The sealing boxes are compatible with all call buttons produced by Olympia Electronics.

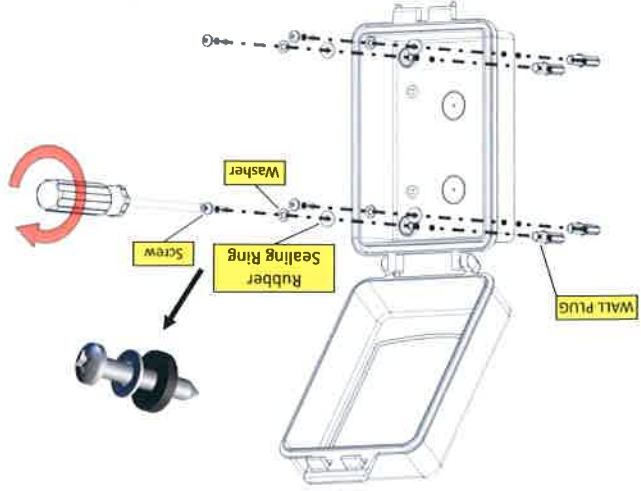
Installation Instructions



1 Install the appropriate adhesive film according to the type of the button are going to use. The film must be placed inside from the plastic. Mind the correct orientation!



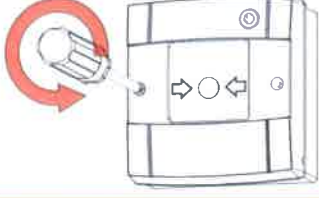
1 Drill the four available holes with a 4mm drill to mount the box on the wall.



2 Place the box on the wall and fasten it with the supplied mounting accessories. **WARNING!!!** The lid should be fitted.



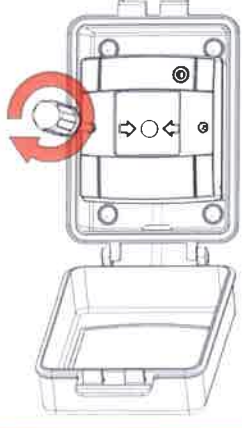
3 Open one of the pre-marked entrances to pass the connecting cables along with the supplied cable gland. **WARNING!** The cables must not be deformed (this requirement is important to preserve the degree of IP65 protection).



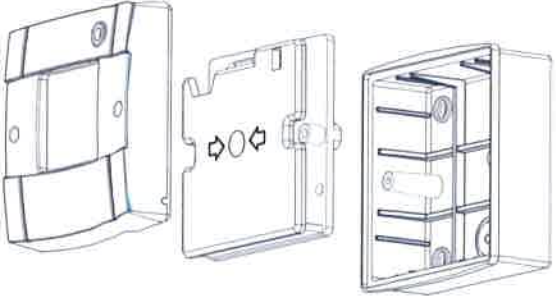
4 Remove the button front restraint screws.



5 Open one of the pre-marked entrances at the base of the button, pass the connection cables and screw the base into the box. To connect the cables, refer to the button instruction manual.



6 Replace the button front and fasten the removed screws. The device is ready to be activated.



92753000_09_001

2

5

92753000_09_001

4

3

8

7

6

92753000_09_001