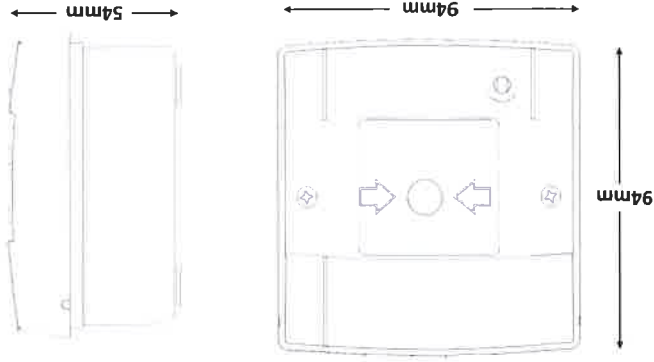


Technical Characteristics

OPERATION VOLTAGE	230V AC
MAX SUPPLY CURRENT	5A
FOR USE	Indoors, Wall Mounting
PRODUCED IN ACCORDANCE WITH	EN 60335-1
OPERATION TEMPERATURE RANGE	0 to 60 °C
DEGREES OF COVER PROTECTION	IP40
RELATIVE HUMIDITY	Up to 95%
COLOUR	Red
CONSTRUCTION MATERIAL	ABS/PC
TYPICAL WEIGHT	200 gr.
WARRANTY	2 years

Dimensions



Warranty

Olympia Electronics guarantees the quality, condition and operation of the goods. The period of warranty is specified in the official catalogue of Olympia Electronics and also in the technical leaflet, which accompanies each product. This warranty ceases to exist if the buyer does not follow the technical instructions included in official documents given by Olympia Electronics or if the buyer modifies the goods provided or has any repairs or re-setting done by a third party, unless Olympia Electronics has fully agreed to them in writing. Products that have been damaged can be returned to the premises of our company for repair or replacement, as long as the warranty period is valid. Olympia Electronics reserves the right to repair or to replace the returned goods and to or not charge the buyer depending on the reason of deflection. Olympia Electronics reserves the right to charge or not the buyer the transportation cost.



72nd km. O.N.R. Thessaloniki-Katerini
P.C. 60300 P.O. Box 06 Eginio Pierias Greece
www.olympia-electronics.com
info@olympia-electronics.gr

BS-539

GENERAL PURPOSE
MANUAL CALL POINT 230V NC



European
manufacturers



olympia
electronics

for a safer world

Thank you for your trust in our products
Olympia Electronics - European manufacturer

Package Contents

1	Manual Call Point
1	Mounting Accessories
1	Manual
1	Reset Key

General

Their operation is very simple. Lift the protective cover and push the button to activate. In this case the button is not breaking but you can return it to its original position with the plastic key. With this way you can test the button for its proper operation without damaging the glass during any inspection and maintenance of the system.

INSTALLATION
Refer to the next figures for mounting and connection installation. All buttons should be placed at a height of about 1.4m from the floor.

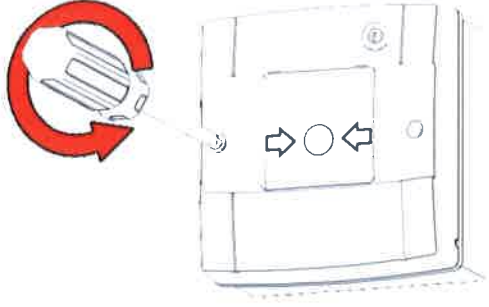
All manual call points can cooperate with BOX-538 for areas where IP65 protection is required.



1

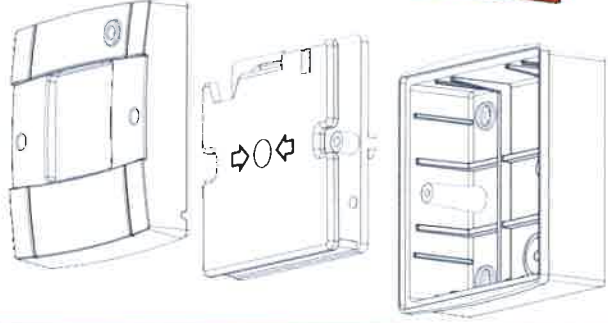
921539000_09_001

Installation Instructions



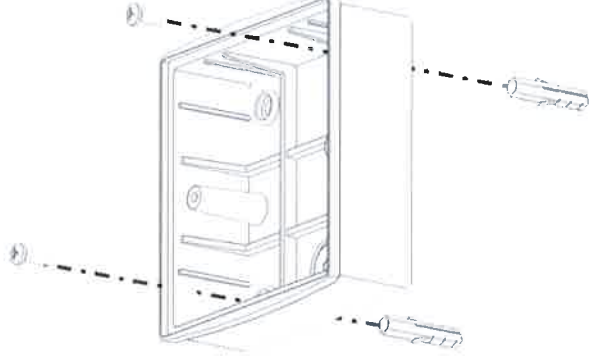
1 Remove the button front restraint screws.

1



2 Dismantle the manual call point.

2

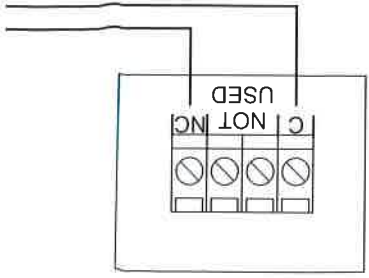


3 Mount the base to the wall with the supplied mounting accessories.

3

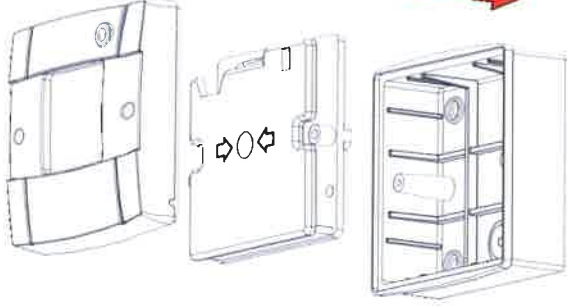
921539000_09_001

Connection Diagram



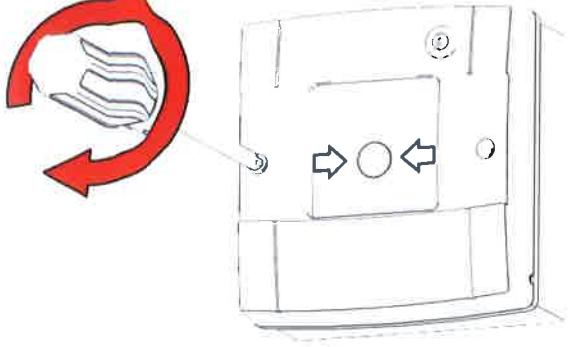
4 Make the electrical connections.

4



5 Assemble the manual call point.

5



6 Fasten the two front restraint screws.

6

921539000_09_001